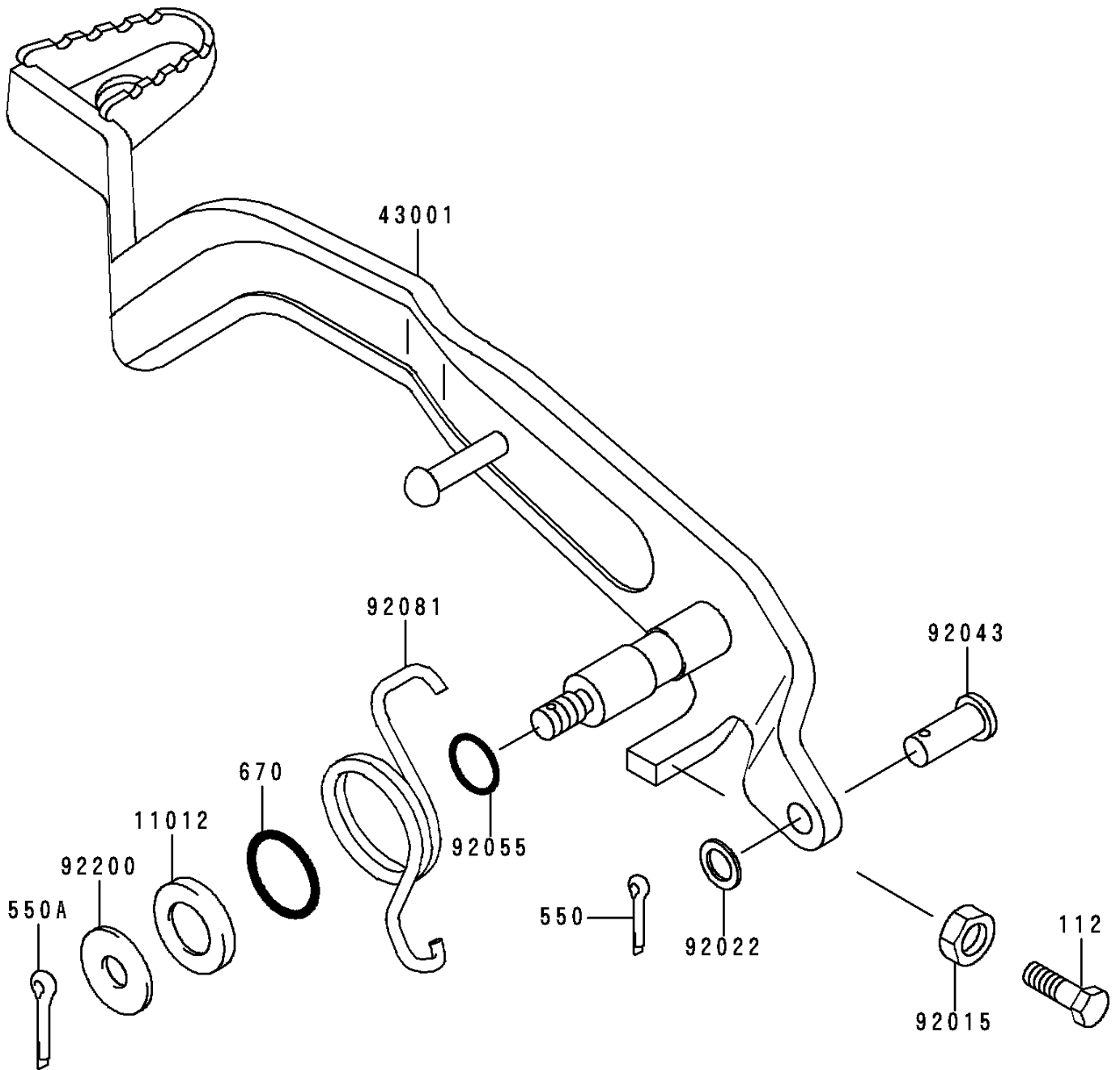


# 1998 Lakota 300 PARTS DIAGRAM

Brake Pedal

F2260



## 1998 Lakota 300 PARTS LIST

### Brake Pedal

| ITEM NAME                                    | PART NUMBER   | QUANTITY |
|--|---------------|----------|
| BOLT-UPSET (Ref # 112)                       | 112D0622      | 1        |
| PIN-COTTER,2.0X20 (Ref # 550)                | 550D2020      | 1        |
| PIN-COTTER,2.5X25 (Ref # 550A)               | 550D2525      | 1        |
| O RING,18MM (Ref # 670)                      | 670B2018      | 1        |
| CAP (Ref # 11012)                            | 11012-1516    | 1        |
| LEVER-BRAKE,PEDAL,SILVER NO.40 (Ref # 43001) | 43001-1350-5A | 1        |
| NUT,6MM (Ref # 92015)                        | 92015-1410    | 1        |
| WASHER,8.5X13X1 (Ref # 92022)                | 92022-1028    | 1        |
| PIN (Ref # 92043)                            | 92043-1039    | 1        |
| RING-O,13.5MM (Ref # 92055)                  | 92055-073     | 1        |
| SPRING,BRAKE PEDAL RETURN (Ref # 92081)      | 92081-1996    | 1        |
| WASHER,8.5X23X1.6 (Ref # 92200)              | 92200-1156    | 1        |