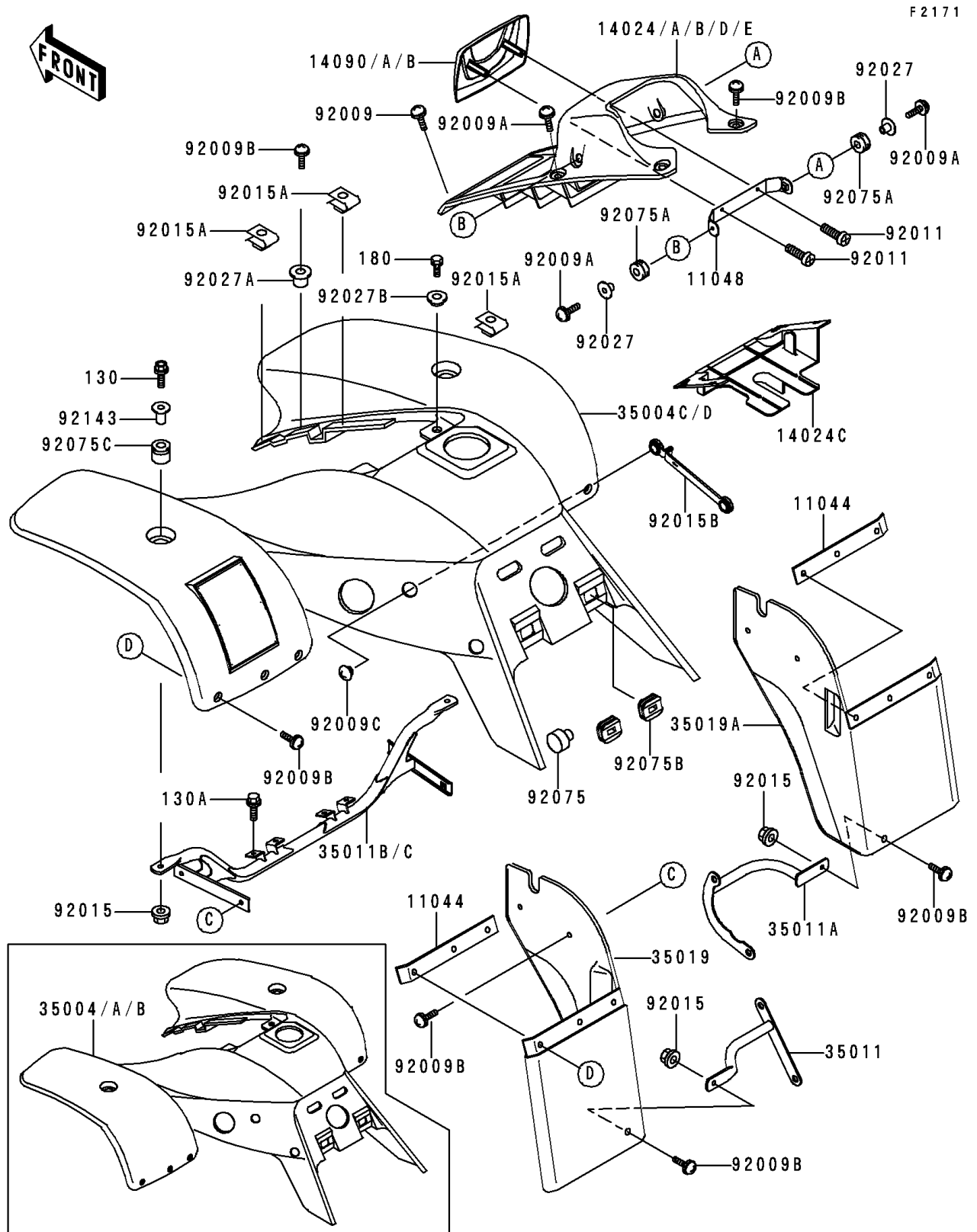


# 1999 Lakota 300 PARTS DIAGRAM

Front Fender(s)



# 1999 Lakota 300 PARTS LIST

## Front Fender(s)

ITEM NAME	PART NUMBER	QUANTITY
BRACKET,FLAP (Ref # 11044)	11044-1934	2
BRACKET,HEAD LAMP COVER (Ref # 11048)	11048-1742	1
COVER,FRONT FENDER,BLACK (Ref # 14024B)	14024-1268-6D	1
COVER,FRONT FENDER,INNER (Ref # 14024C)	14024-1297	1
COVER,HEAD LAMP,BLACK (Ref # 14090B)	14090-1495-6D	1
FENDER-FRONT,H.GREEN (Ref # 35004C)	35004-1379-6A	1
FENDER-FRONT,F.RED (Ref # 35004D)	35004-1379-6L	1
STAY,FRONT FLAP,LH,SILVER (Ref # 35011)	35011-1694-5A	1
STAY,FRONT FLAP,RH,SILVER (Ref # 35011A)	35011-1695-5A	1
STAY,FR FENDER,BLACK (Ref # 35011B)	35011-1697-10	1
FLAP,LH (Ref # 35019)	35019-1172	1
FLAP,RH (Ref # 35019A)	35019-1173	1
SCREW,6X18,BLACK (Ref # 92009)	92009-1181	2
SCREW,6X22,BLACK (Ref # 92009A)	92009-1256	4
SCREW,6X14 (Ref # 92009B)	92009-1288	16
SCREW,16MM (Ref # 92009C)	92009-1508	2
SCREW (Ref # 92011)	92011-562	2
NUT,LOCK,FLANGED,6MM (Ref # 92015)	92015-1675	4
NUT,CLAMP,6MM (Ref # 92015A)	92015-1678	6
NUT (Ref # 92015B)	92015-1701	1
COLLAR,L=13.1,BLACK (Ref # 92027)	92027-1450	2
COLLAR (Ref # 92027A)	92027-1757	2
COLLAR,L=5.6 (Ref # 92027B)	92027-1933	2
BOLT-FLANGED,6X35 (Ref # 130)	130G0635	2
BOLT-FLANGED,6X12 (Ref # 130A)	130P0612	4
BOLT-UPSET-WS,6X35 (Ref # 180)	180D0635	2
DAMPER,DUAL SEAT (Ref # 92075)	92075-023	1
DAMPER (Ref # 92075A)	92075-1690	2
DAMPER (Ref # 92075B)	92075-1834	2

# 1999 Lakota 300 PARTS LIST

Front Fender(s)

ITEM NAME	PART NUMBER	QUANTITY
DAMPER (Ref # 92075C)	92075-1936	2
COLLAR,L=19.6 (Ref # 92143)	92143-1100	2