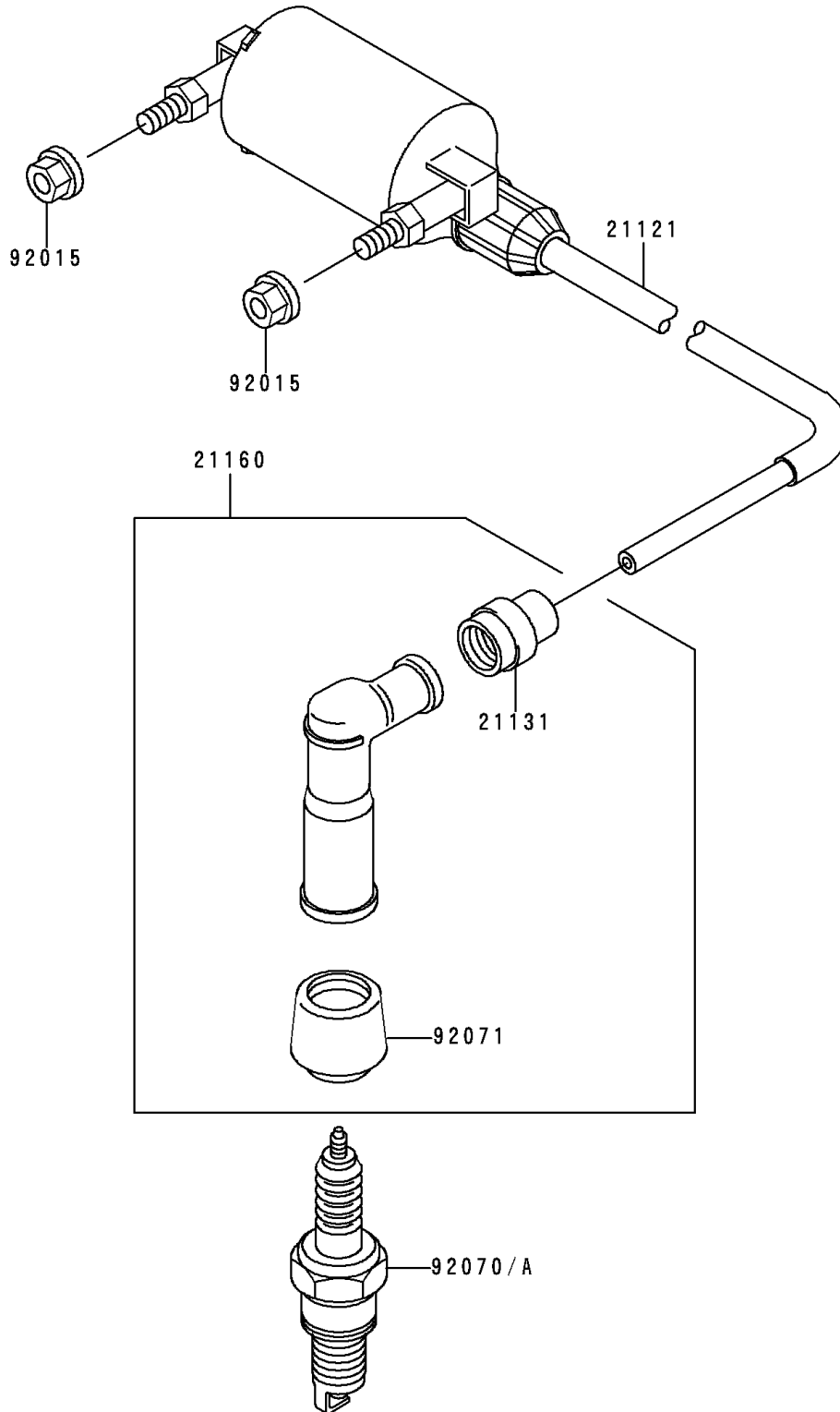


# 1999 Lakota 300 PARTS DIAGRAM

Ignition System

E1830



## 1999 Lakota 300 PARTS LIST

### Ignition System

| ITEM NAME                          | PART NUMBER | QUANTITY |
|------------------------------------|-------------|----------|
| COIL-IGNITION (Ref # 21121)        | 21121-1240  | 1        |
| GROMMET,HIGH TENSION (Ref # 21131) | 21131-005   | 1        |
| CAP-ASSY-PLUG (Ref # 21160)        | 21160-1089  | 1        |
| NUT,CAP,6M/M (Ref # 92015)         | 92015-1153  | 2        |
| PLUG-SPARK,D8EA(NGK) (Ref # 92070) | 92070-1011  | 1        |
| GROMMET,PLUG CAP (Ref # 92071)     | 92071-1184  | 1        |