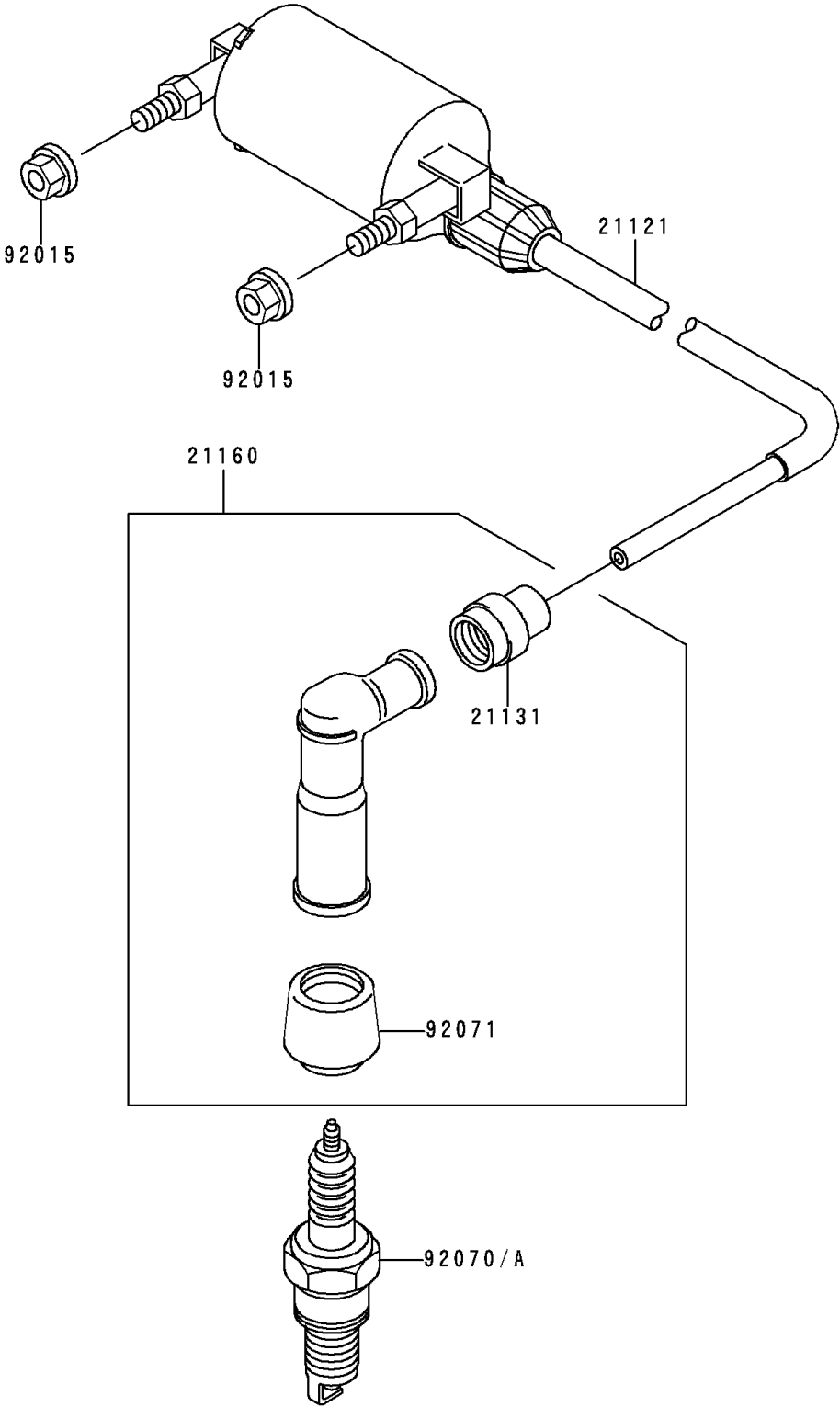


## 1997 Lakota 300 PARTS DIAGRAM

Ignition System

E1830



## 1997 Lakota 300 PARTS LIST

Ignition System

ITEM NAME	PART NUMBER	QUANTITY
COIL-IGNITION (Ref # 21121)	21121-1240	1
GROMMET,HIGH TENSION (Ref # 21131)	21131-005	1
CAP-ASSY-PLUG (Ref # 21160)	21160-1089	1
NUT,CAP,6M/M (Ref # 92015)	92015-1153	1
GROMMET,PLUG CAP (Ref # 92071)	92071-1184	1
PLUG-SPARK,D8EA(NGK) (Ref # 92070)	92070-1011	1
PLUG-SPARK,DR8ES-L(NGK) (Ref # 92070A)	92070-1116	1