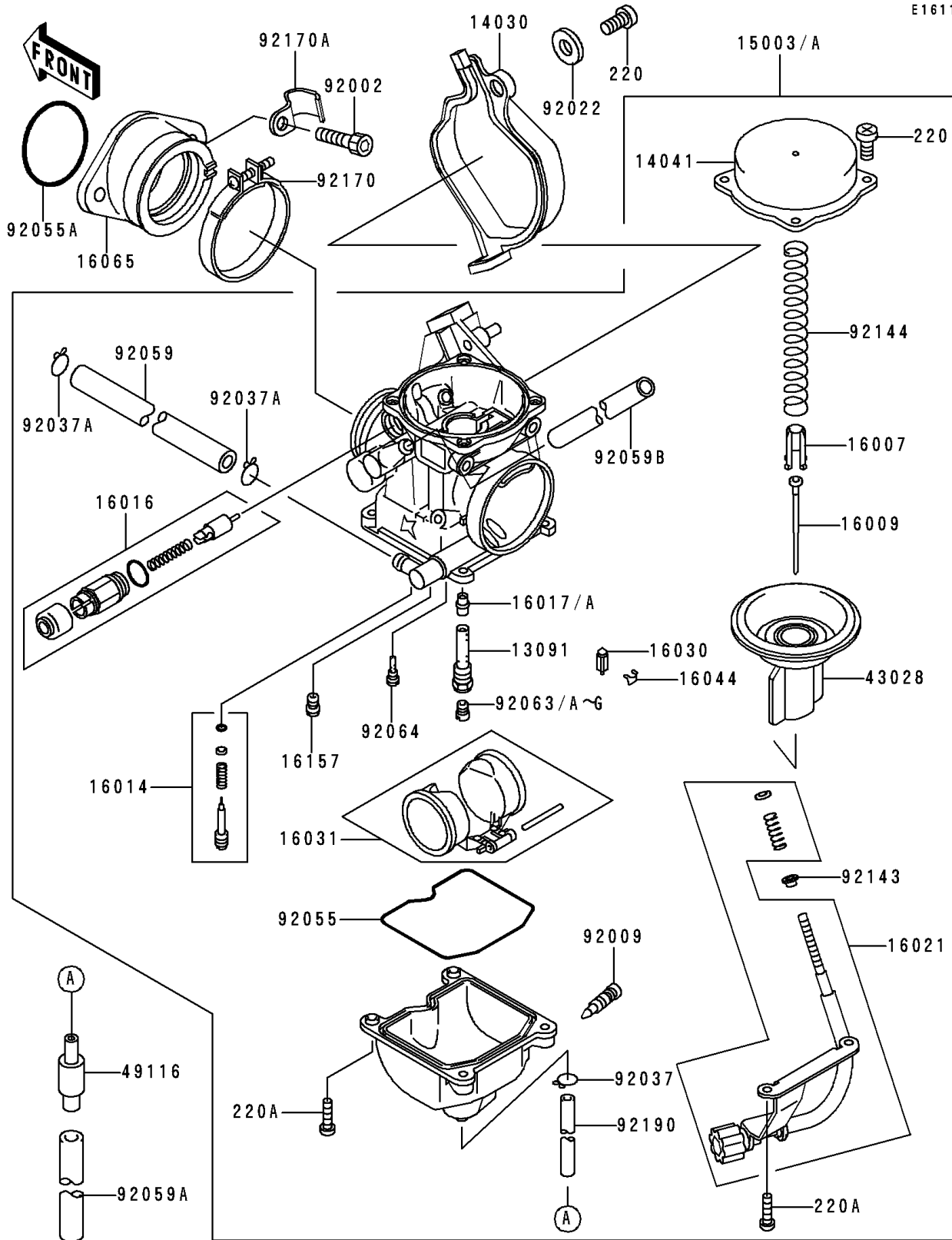


1998 Lakota 300 PARTS DIAGRAM

Carburetor

E1611



1998 Lakota 300 PARTS LIST

Carburetor

ITEM NAME	PART NUMBER	QUANTITY
HOLDER,NEEDLE JET (Ref # 13091)	13091-1914	1
COVER-CARBURETOR (Ref # 14030)	14030-1054	1
TOP-CHAMBER,MIXING,INSIDE (Ref # 14041)	14041-1077	1
SEAT-SPRING,THROTTLE VALVE (Ref # 16007)	16007-1120	1
NEEDLE-JET,N36X (Ref # 16009)	16009-1516	1
SCREW-PILOT AIR (Ref # 16014)	16014-1081	1
PLUNGER,STARTER (Ref # 16016)	16016-1101	1
SCREW-THROTTLE STOP (Ref # 16021)	16021-1196	1
VALVE-FLOAT (Ref # 16030)	16030-1007	1
FLOAT (Ref # 16031)	16031-1077	1
CLAMP,FLOAT VALVE (Ref # 16044)	16044-007	1
HOLDER-CARBURETOR (Ref # 16065)	16065-1301	1
JET-STARTER,#58 (Ref # 16157)	16157-1057	1
DIAPHRAGM,VALVE (Ref # 43028)	43028-1080	1
VALVE-ASSY (Ref # 49116)	49116-1126	1
BOLT,6X16 (Ref # 92002)	92002-1143	2
SCREW,DRAIN,M6X0.75 (Ref # 92009)	92009-1551	1
WASHER,5.2X13X1 (Ref # 92022)	92022-1380	1
CLAMP,TUBE (Ref # 92037)	92037-1201	1
CLAMP,TUBE (Ref # 92037A)	92037-1531	2
RING-O,FLOAT CHAMBER (Ref # 92055)	92055-1222	1
RING-O,38MM (Ref # 92055A)	92055-1295	1
TUBE,6.5X11.5X200 (Ref # 92059)	92059-1538	1
TUBE,7X10X100 (Ref # 92059A)	92059-1736	1
TUBE,6.5X9.5X320 (Ref # 92059B)	92059-1861	1
SCREW-PAN-CROS (Ref # 220)	220B0408	5
SCREW-PAN-CROS (Ref # 220A)	220D0414	4
JET-MAIN,#142 (Ref # 92063C)	92063-1016	1
JET-MAIN,#145 (Ref # 92063D)	92063-1017	1

1998 Lakota 300 PARTS LIST

Carburetor

ITEM NAME	PART NUMBER	QUANTITY
JET-PILOT,#38 (Ref # 92064)	92064-1119	1
COLLAR (Ref # 92143)	92143-1589	1
SPRING,DIAPHRAGM VALVE (Ref # 92144)	92144-1745	1
CLAMP (Ref # 92170)	92170-1438	1
CLAMP (Ref # 92170A)	92170-1552	1
TUBE,4.5X8X330 (Ref # 92190)	92190-1557	1
CARBURETOR-ASSY (Ref # 15003)	15003-1157	1
CARBURETOR-ASSY (Ref # 15003A)	15003-1363	1
JET-NEEDLE (Ref # 16017)	16017-1335	1
JET-NEEDLE,#6 (Ref # 16017A)	16017-1394	1
JET-MAIN,#140 (Ref # 92063)	92063-1013	1
JET-MAIN,#135 (Ref # 92063A)	92063-1014	1
JET-MAIN,#138 (Ref # 92063B)	92063-1015	1
JET-MAIN,#148 (Ref # 92063E)	92063-1324	1
JET-MAIN,#150 (Ref # 92063F)	92063-1330	1
JET-MAIN,#152 (Ref # 92063G)	92063-1331	1