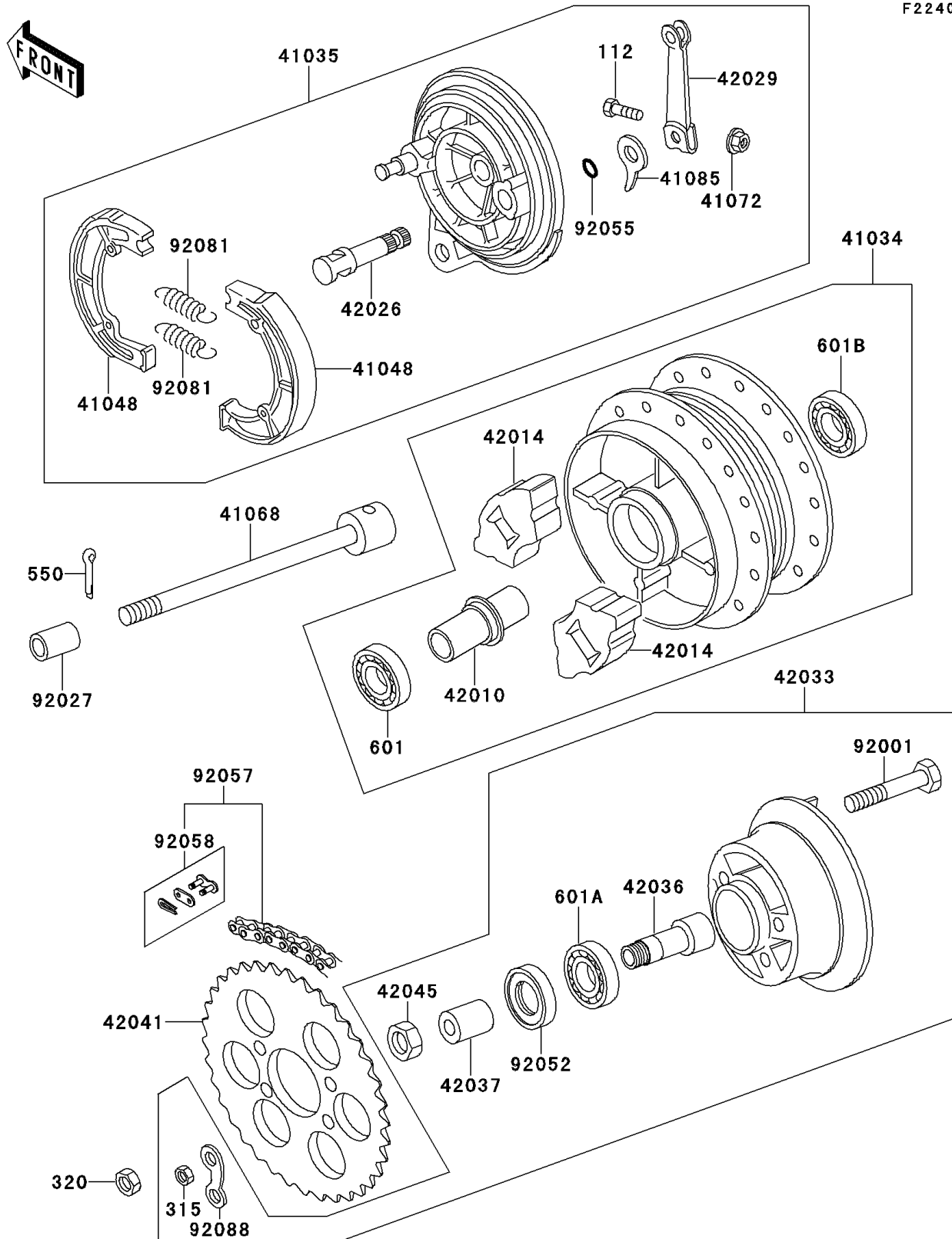


1997 KE100 PARTS DIAGRAM

Rear Hub

F2240



1997 KE100 PARTS LIST

Rear Hub

| ITEM NAME | PART NUMBER | QUANTITY |
|---------------------------------------|-------------|----------|
| BOLT-UPSET (Ref # 112) | 112G0630 | 1 |
| NUT-HEX-FINE,10MM (Ref # 315) | 315B1000 | 4 |
| NUT-CASTLE,10MM (Ref # 320) | 320B1000 | 1 |
| PIN-COTTER,2.5X25 (Ref # 550) | 550D2525 | 1 |
| BEARING-BALL,#6201G (Ref # 601) | 601B6201G | 1 |
| BEARING-BALL,#6203G (Ref # 601A) | 601B6203G | 1 |
| BEARING-BALL,#6301UG (Ref # 601B) | 601B6301UG | 1 |
| DRUM-ASSY,RR (Ref # 41034) | 41034-1048 | 1 |
| PANEL-ASSY-BRAKE,RR (Ref # 41035) | 41035-1292 | 1 |
| SHOE-BRAKE (Ref # 41048) | 41048-1085 | 2 |
| AXLE,RR (Ref # 41068) | 41068-1360 | 1 |
| NUT,6MM (Ref # 41072) | 41072-007 | 1 |
| INDICATOR,BRAKE SHOE (Ref # 41085) | 41085-003 | 1 |
| COLLAR,L=58 (Ref # 42010) | 42010-005 | 1 |
| DAMPER,RR HUB SHOCK (Ref # 42014) | 42014-016 | 4 |
| CAM-BRAKE (Ref # 42026) | 42026-018 | 1 |
| LEVER-BRAKE CAM (Ref # 42029) | 42029-020 | 1 |
| COUPLING-ASSY (Ref # 42033) | 42033-1042 | 1 |
| SLEEVE,RR HUB COUPLING (Ref # 42036) | 42036-013 | 1 |
| COLLAR,17X25X12.5 (Ref # 42037) | 42037-003 | 1 |
| SPROCKET-HUB,40T (Ref # 42041) | 42041-1095 | 1 |
| NUT,16MM (Ref # 42045) | 42045-004 | 1 |
| BOLT,HUB SPROCKET,10X36 (Ref # 92001) | 92001-082 | 4 |
| COLLAR,12.2X22X28.5 (Ref # 92027) | 92027-1477 | 1 |
| SEAL-OIL,COUPLING (Ref # 92052) | 92052-003 | 1 |
| RING-O,BRAKE CAM (Ref # 92055) | 92055-004 | 1 |
| CHAIN,DRIVE,EK428GX112L (Ref # 92057) | 92057-1099 | 1 |
| JOINT-CHAIN,EK428-G (Ref # 92058) | 92058-1014 | 1 |
| SPRING,BRAKE SHOE (Ref # 92081) | 92081-1766 | 2 |

1997 KE100 PARTS LIST

Rear Hub

| ITEM NAME | PART NUMBER | QUANTITY |
|---------------------------|-------------|----------|
| WASHER,LOCK (Ref # 92088) | 92088-011 | 2 |