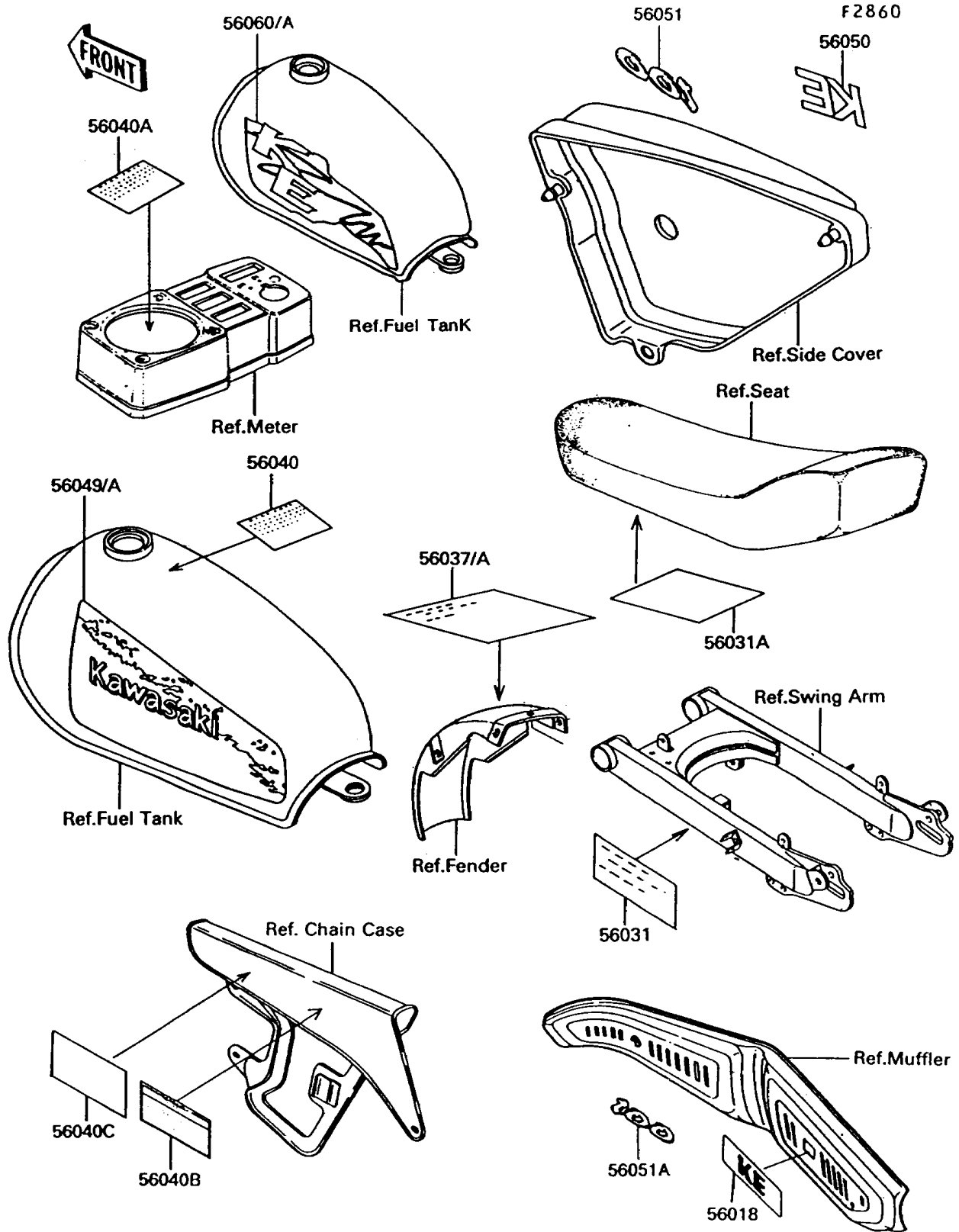


1995 KE100 PARTS DIAGRAM

Labels(KE100-B11/B12/B13/B14)



1995 KE100 PARTS LIST

Labels(KE100-B11/B12/B13/B14)

ITEM NAME	PART NUMBER	QUANTITY
LABEL-MANUAL,CHAIN (Ref # 56031)	56031-1336	1
LABEL-MANUAL,BATTERY VENT (Ref # 56031A)	56031-1804	1
LABEL-SPECIFICATION,TIRE&LOAD (Ref # 56037)	56037-1154	1
LABEL-SPECIFICATION,TIRE&LOAD (Ref # 56037A)	56037-1565	1
LABEL-WARNING,BREAK IN CAUTION (Ref # 56040)	56040-1008	1
LABEL-WARNING,BREAK IN CAUTION (Ref # 56040A)	56040-1010	1
LABEL-WARNING,SIDE STAND (Ref # 56040B)	56040-1012	1
LABEL-WARNING,SIDE STAND (Ref # 56040C)	56040-1116	1
MARK,SIDE COVER,RH,100 (Ref # 56051)	56051-1094	1
MARK,MUFFLER COVER,100 (Ref # 56051A)	56051-1095	1
PATTERN,FUEL TANK,LH (Ref # 56060)	56060-1821	1
PATTERN,FUEL TANK,RH (Ref # 56060A)	56060-1822	1