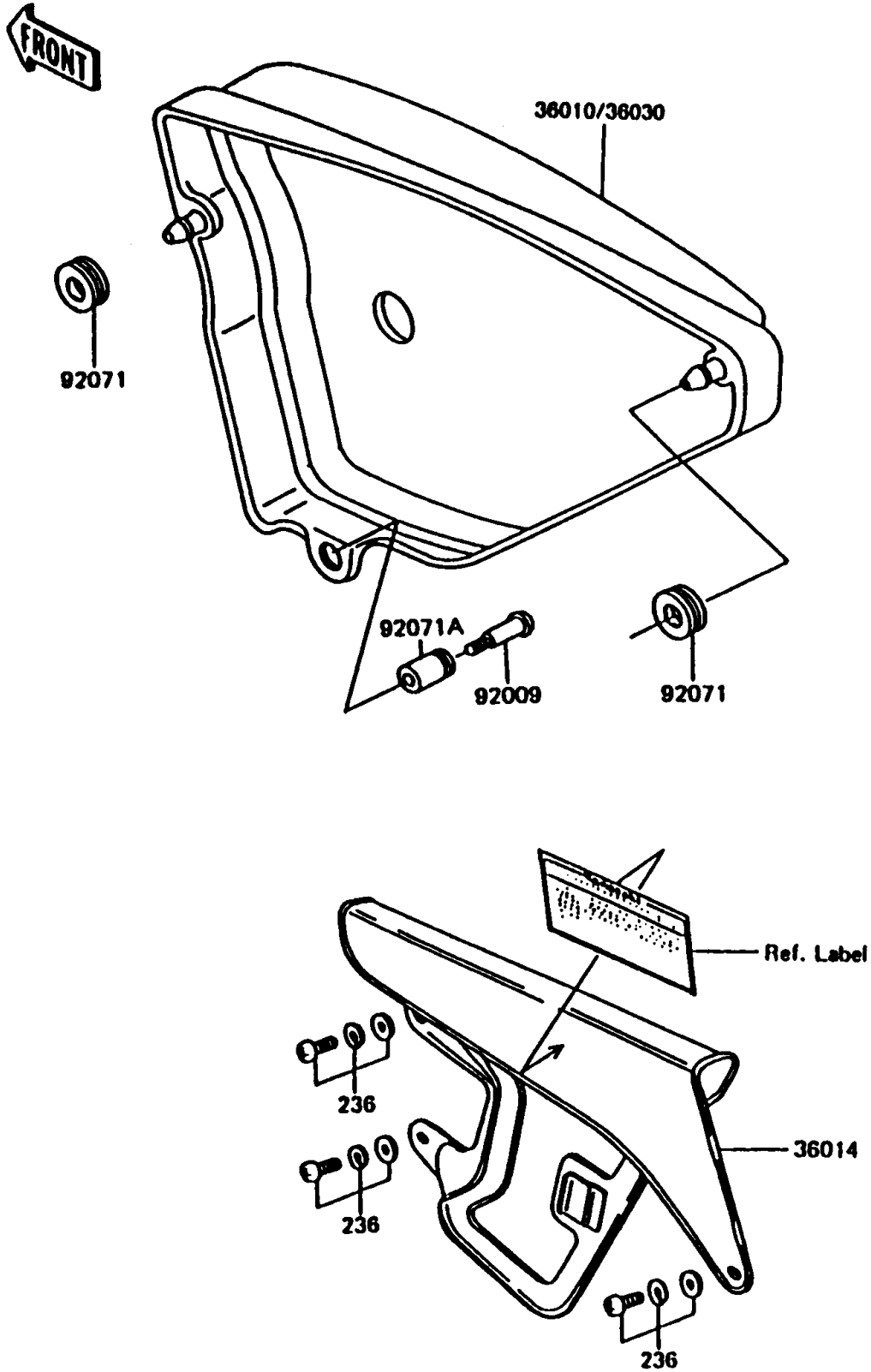


# 1995 KE100 PARTS DIAGRAM

Side Covers/Chain Cover

F2610



# 1995 KE100 PARTS LIST

Side Covers/Chain Cover

ITEM NAME	PART NUMBER	QUANTITY
SCREW-PAN-WSP-CROS,6X12 (Ref # 236)	236C0612	3
CASE-CHAIN,BLACK (Ref # 36014)	36014-1047	1
COVER-SIDE,RH,L.GREEN (Ref # 36030)	36030-5331-6W	1
SCREW,PLUG (Ref # 92009)	92009-1001	1
GROMMET (Ref # 92071)	92071-056	2
GROMMET,SIDE COVER (Ref # 92071A)	92071-1001	1