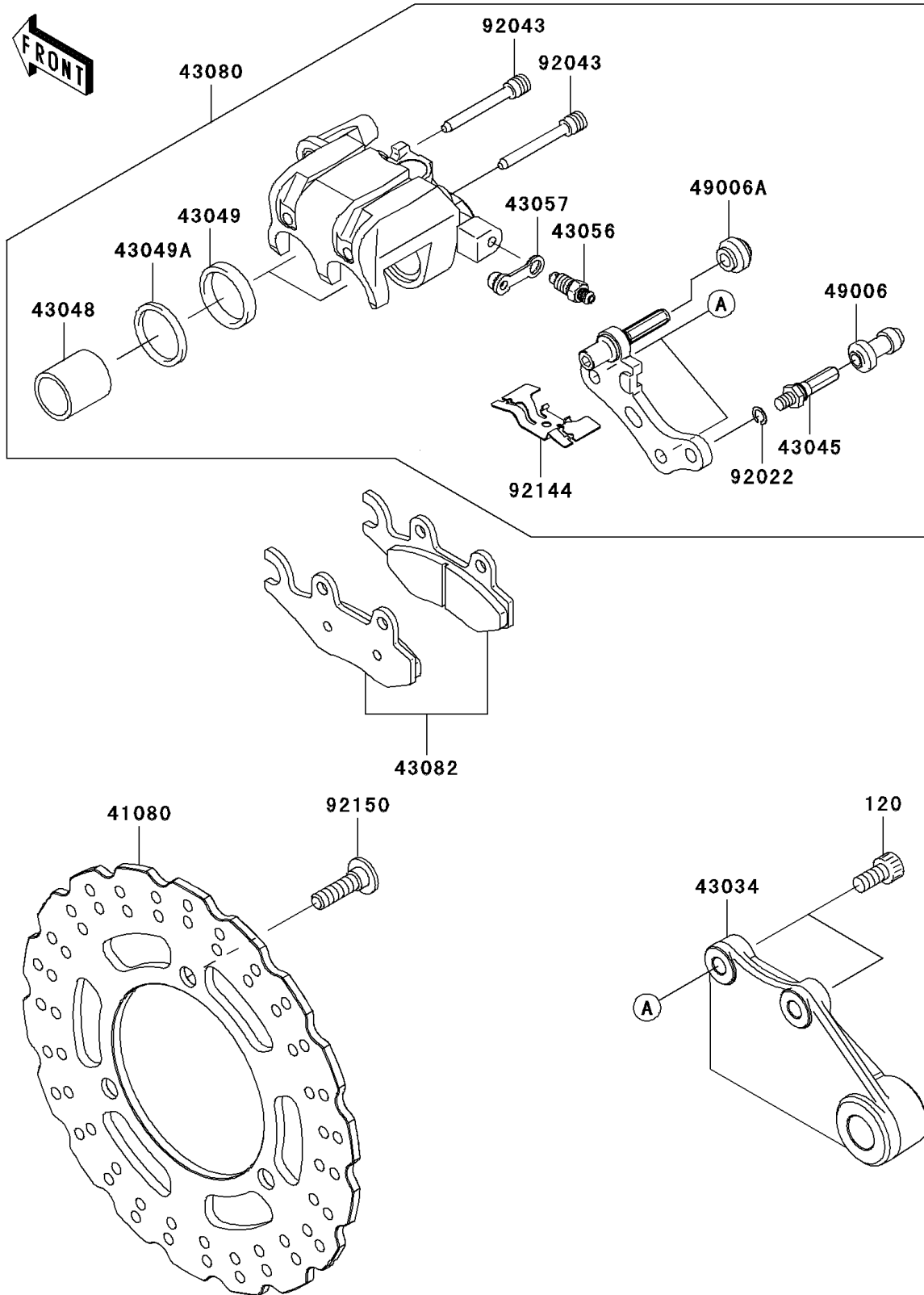


# 2009 Ninja® 250R PARTS DIAGRAM

Rear Brake

F2294



## 2009 Ninja® 250R PARTS LIST

### Rear Brake

ITEM NAME	PART NUMBER	QUANTITY
BOLT-SOCKET,8X16 (Ref # 120)	120CA0816	2
DISC,RR,BLACK (Ref # 41080)	41080-0114-11H	1
HOLDER-BRAKE,REAR CALIPER,BLK (Ref # 43034)	43034-0021-18R	1
SHAFT-CALIPER (Ref # 43045)	43045-1010	1
PISTON-CALIPER (Ref # 43048)	43048-1066	2
PACKING (Ref # 43049)	43049-1063	2
PACKING (Ref # 43049A)	43049-1064	2
BREATHER-BRAKE (Ref # 43056)	43056-0004	1
CAP-BREATHER (Ref # 43057)	43057-1001	1
CALIPER-SUB-ASSY,RR,SILVER (Ref # 43080)	43080-0063-GN	1
PAD-ASSY-BRAKE (Ref # 43082)	43082-0081	1
BOOT,CALIPER (Ref # 49006)	49006-1088	1
BOOT,CALIPER (Ref # 49006A)	49006-1242	1
WASHER,WAVE (Ref # 92022)	92022-1373	1
PIN,HANGER (Ref # 92043)	92043-1416	2
SPRING,PAD (Ref # 92144)	92144-1847	1
BOLT,SOCKET,8X30 (Ref # 92150)	92150-1771	3