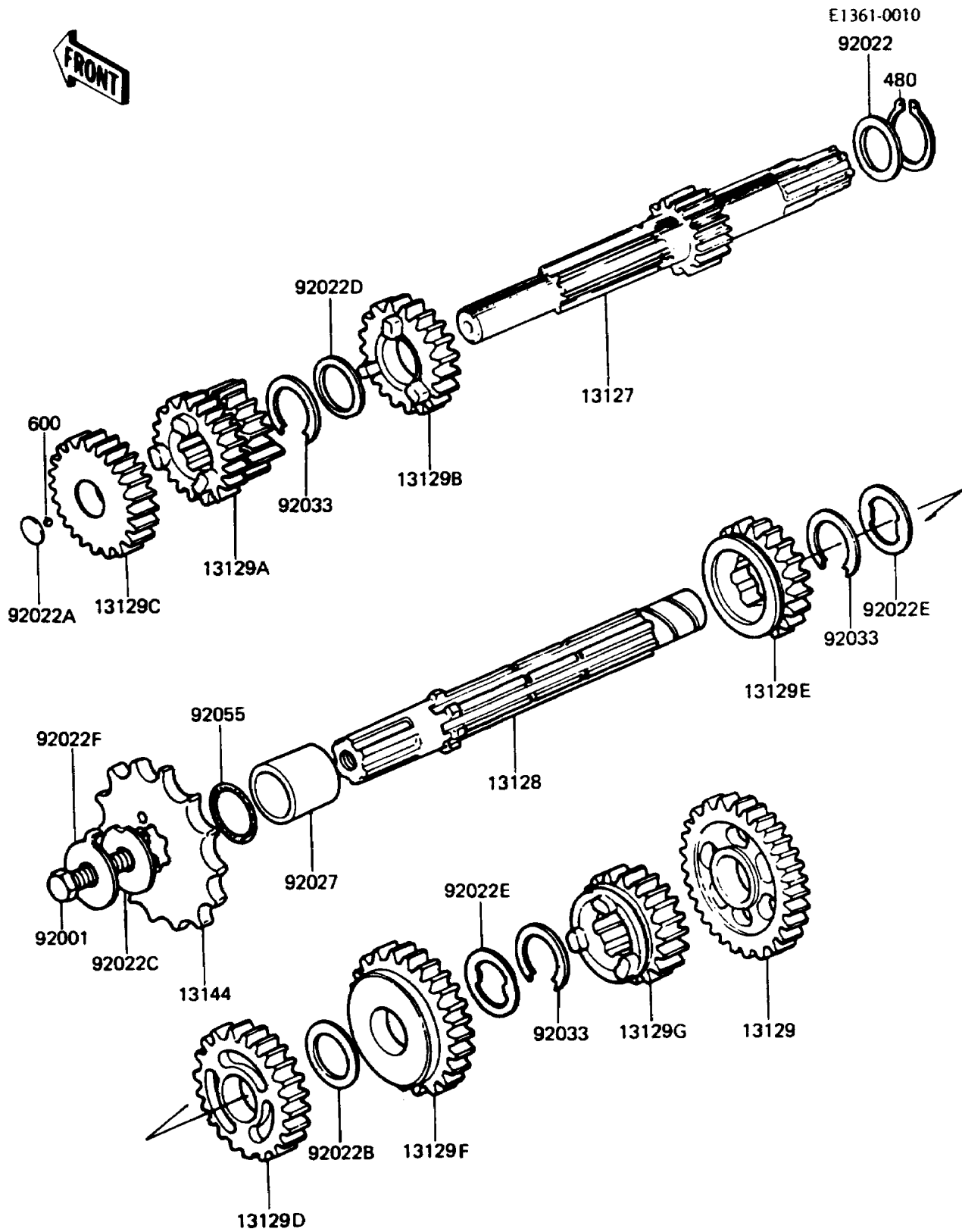


1987 KE100 PARTS DIAGRAM

Transmission



1987 KE100 PARTS LIST

Transmission

| ITEM NAME | PART NUMBER | QUANTITY |
|---|-------------|----------|
| SHAFT-TRANSMISSION INPUT (Ref # 13127) | 13127-1017 | 1 |
| SHAFT-TRANSMISSION OUTPUT (Ref # 13128) | 13128-021 | 1 |
| GEAR,OUTPUT LOW,35T (Ref # 13129) | 13129-010 | 1 |
| GEAR,INPUT 2ND&3RD,17T&20T (Ref # 13129A) | 13129-1138 | 1 |
| GEAR,INPUT 4TH,22T (Ref # 13129B) | 13129-1139 | 1 |
| GEAR,INPUT TOP,28T (Ref # 13129C) | 13129-1146 | 1 |
| GEAR,OUTPUT 3RD,26T (Ref # 13129D) | 13129-1148 | 1 |
| GEAR,OUTPUT TOP,26T (Ref # 13129E) | 13129-1149 | 1 |
| GEAR,OUTPUT 2ND,30T (Ref # 13129F) | 13129-1642 | 1 |
| GEAR,OUTPUT 4TH,24T (Ref # 13129G) | 13129-1708 | 1 |
| SPROCKET-OUTPUT,15T (Ref # 13144) | 13144-054 | 1 |
| BOLT,8X16 (Ref # 92001) | 92001-1368 | 1 |
| WASHER,THRUST,16.5X21X0.8 (Ref # 92022) | 92022-053 | 1 |
| WASHER,THRUST (Ref # 92022A) | 92022-115 | 1 |
| WASHER,THRUST,18.5X23X1.6 (Ref # 92022B) | 92022-146 | 1 |
| WASHER,T=2.3 (Ref # 92022C) | 92022-266 | 1 |
| WASHER,18.3X22X0.5 (Ref # 92022D) | 92022-271 | 1 |
| WASHER,TOOTHED,18.5X23X1.2 (Ref # 92022E) | 92024-030 | 2 |
| WASHER,CLAW,8X22X1.2 (Ref # 92022F) | 92030-012 | 1 |
| COLLAR,ENGINE SPROCKET,L=13.7 (Ref # 92027) | 92027-1595 | 1 |
| RING-SNAP,16MM (Ref # 92033) | 92033-014 | 3 |
| RING-O,17.5X1.5 (Ref # 92055) | 92055-022 | 1 |
| CIRCLIP-TYPE-C,16MM (Ref # 480) | 480J1600 | 1 |
| BALL-STEEL,7/32" (Ref # 600) | 600A0700 | 1 |