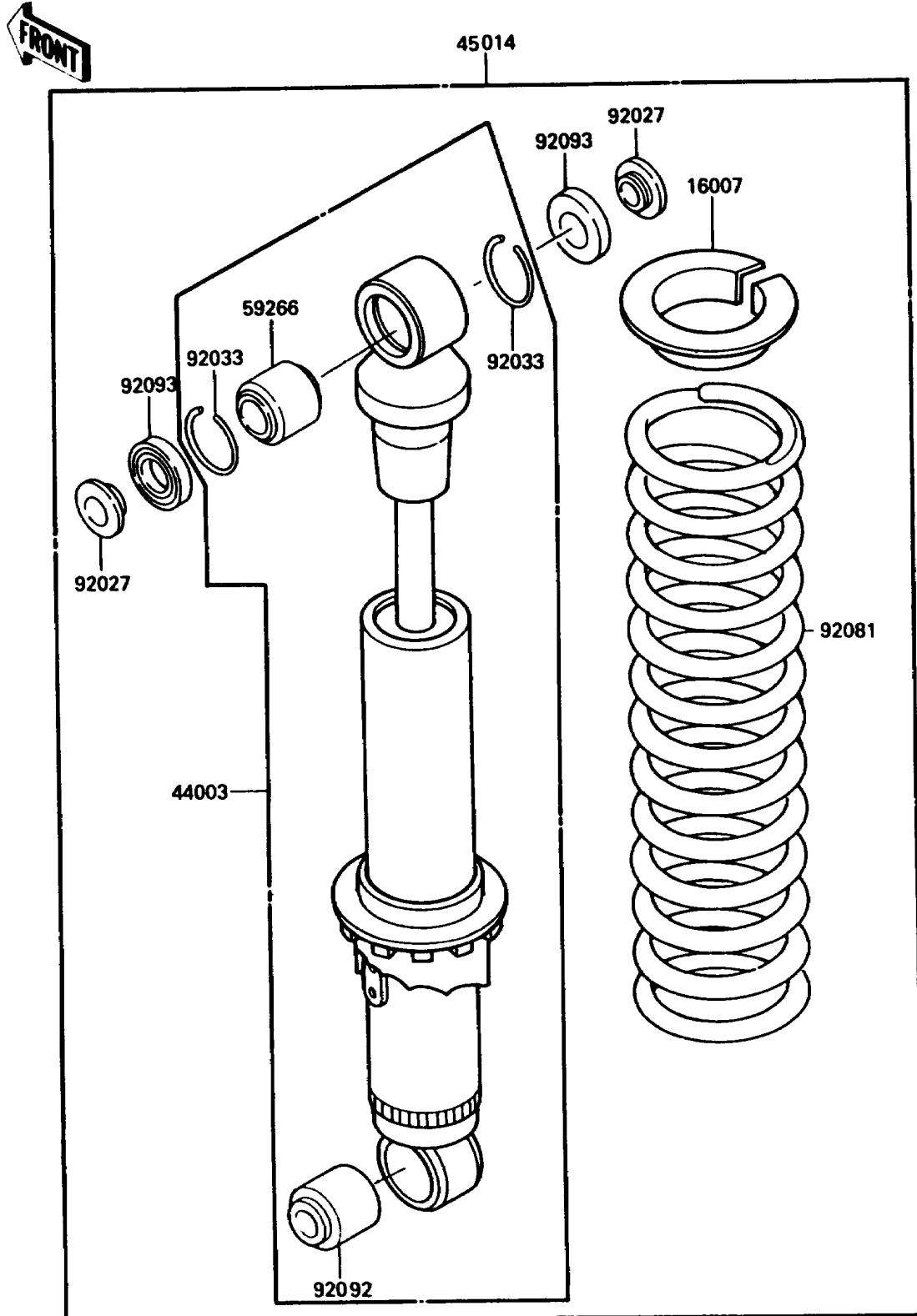


1988 KDX80 PARTS DIAGRAM

Shock Absorber(s)

F2280-0018



1988 KDX80 PARTS LIST

Shock Absorber(s)

ITEM NAME	PART NUMBER	QUANTITY
SEAT-SPRING,REAR SHOCK (Ref # 16007)	16007-1102	1
DAMPER-ASSY,REAR SHOCK (Ref # 44003)	44003-1468	1
SHOCKABSORBER,RR (Ref # 45014)	45014-1257	1
JOINT-BALL (Ref # 59266)	59266-1053	1
COLLAR,REAR SHOCK (Ref # 92027)	92027-1558	2
RING-SNAP (Ref # 92033)	92033-1090	2
SPRING,REAR SHOCK (Ref # 92081)	92081-1624	1
BUSHING-RUBBER,SHOCKABSORBER (Ref # 92092)	92092-1016	1
SEAL,REAR SHOCK (Ref # 92093)	92093-1087	2