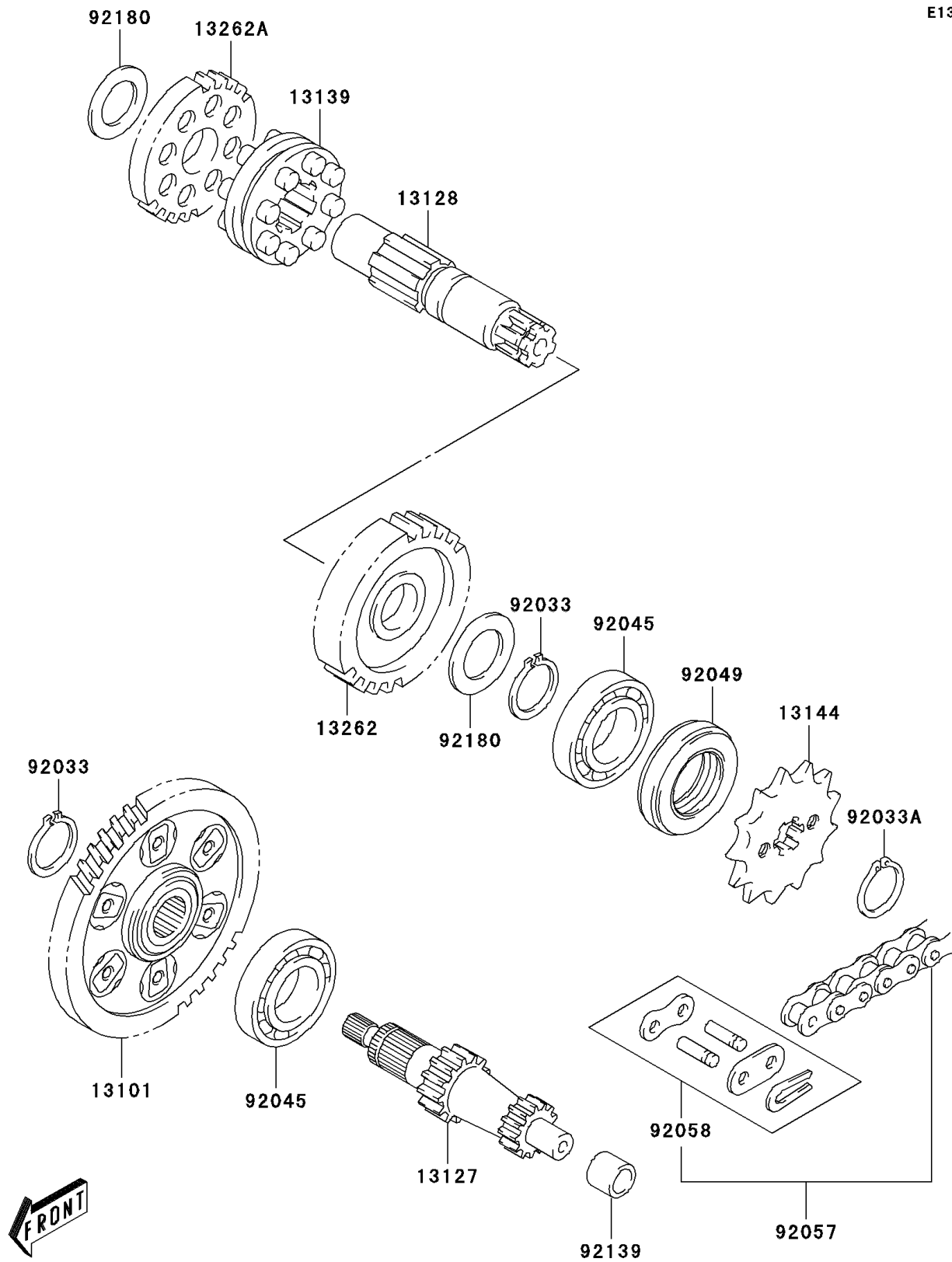


## 2003 KDX50 PARTS DIAGRAM

Transmission

E1361



## 2003 KDX50 PARTS LIST

Transmission

ITEM NAME	PART NUMBER	QUANTITY
GEAR-ASSY,PRIMARY DRIVEN (Ref # 13101)	13101-S001	1
SHAFT-TRANSMISSION INPUT (Ref # 13127)	13127-S007	1
SHAFT-TRANSMISSION OUTPUT (Ref # 13128)	13128-S009	1
SHIFTER (Ref # 13139)	13139-S003	1
SPROCKET-OUTPUT,13T (Ref # 13144)	13144-S007	1
GEAR,OUTPUT LOW,40T (Ref # 13262)	13262-S022	1
GEAR,OUTPUT 2ND,29T (Ref # 13262A)	13262-S023	1
RING-SNAP,DRIVEN GEAR (Ref # 92033)	92033-S026	1
RING-SNAP,ENGINE SPROCKET (Ref # 92033A)	92033-S027	1
BEARING-BALL,17X40X12 (Ref # 92045)	92045-S035	1
SEAL-OIL,CRANKSHAFT OIL,LH (Ref # 92049)	92049-S028	1
CHAIN,DRIVE 78LJ (Ref # 92057)	92057-S008	1
JOINT-CHAIN (Ref # 92058)	92058-S002	1
BUSHING,COUNTER SHAFT (Ref # 92139)	92139-S009	1
SHIM,17X30X1.0 (Ref # 92180)	92180-S014	1