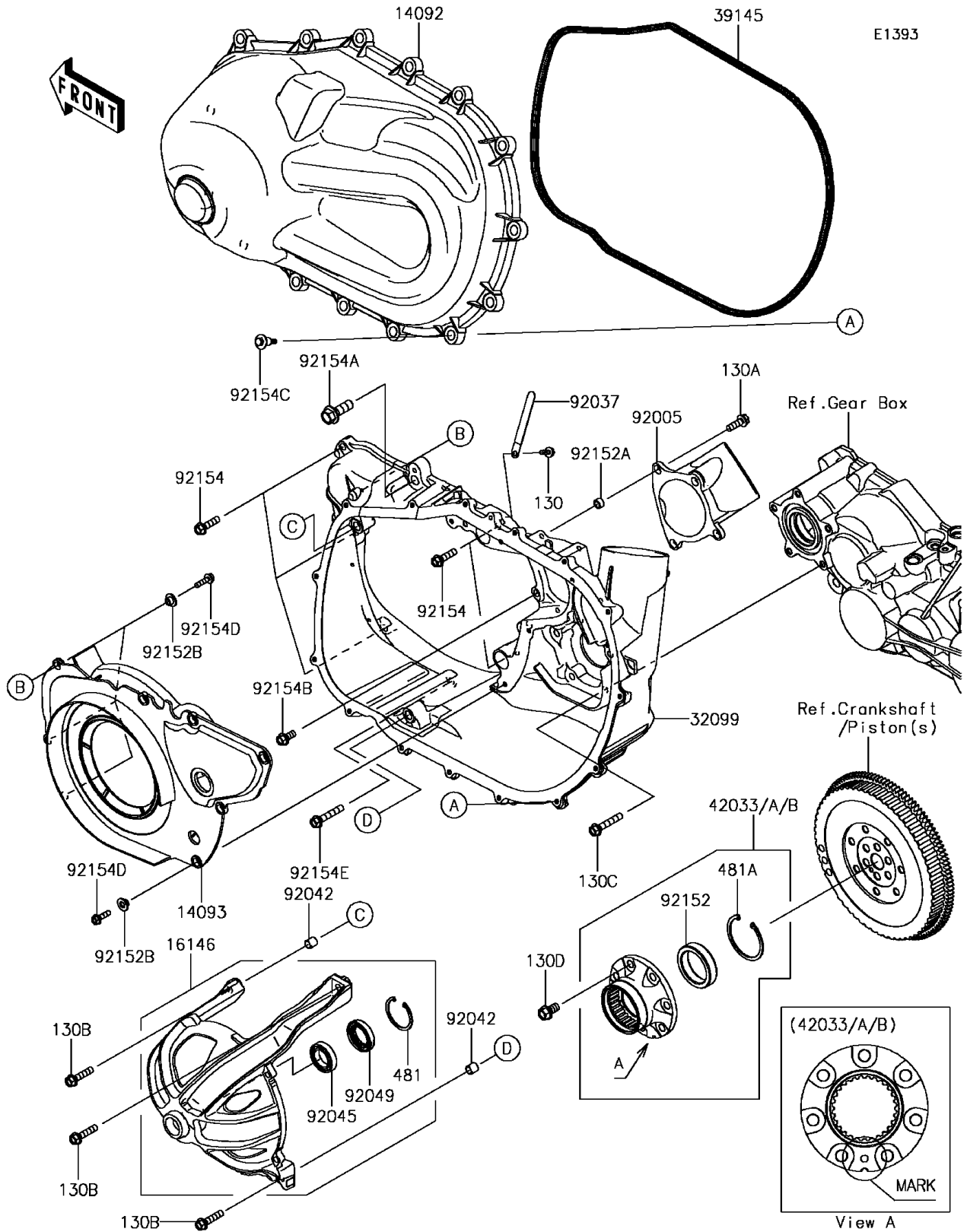


# 2017 MULE PRO-FX™ PARTS DIAGRAM

## Converter Cover



# 2017 MULE PRO-FX™ PARTS LIST

Converter Cover

ITEM NAME	PART NUMBER	QUANTITY
-----------	-------------	----------