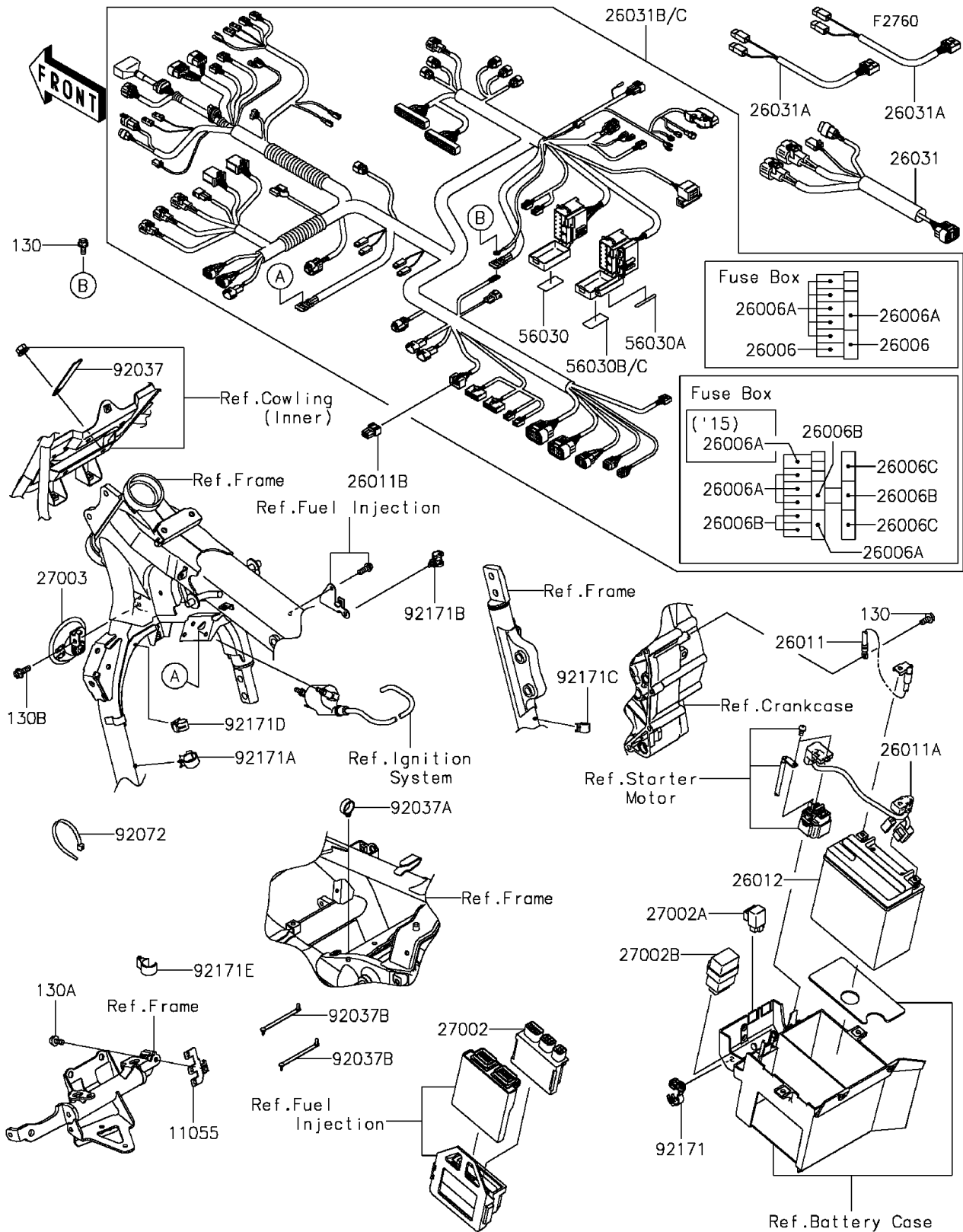


# 2014 VULCAN® 1700 VAQUERO® ABS SE

## PARTS DIAGRAM

### Chassis Electrical Equipment



# 2014 VULCAN® 1700 VAQUERO® ABS SE

**Kawasaki**  
Let the Good Times Roll®

## PARTS LIST

Chassis Electrical Equipment

**ITEM NAME**

**PART NUMBER**

**QUANTITY**

---