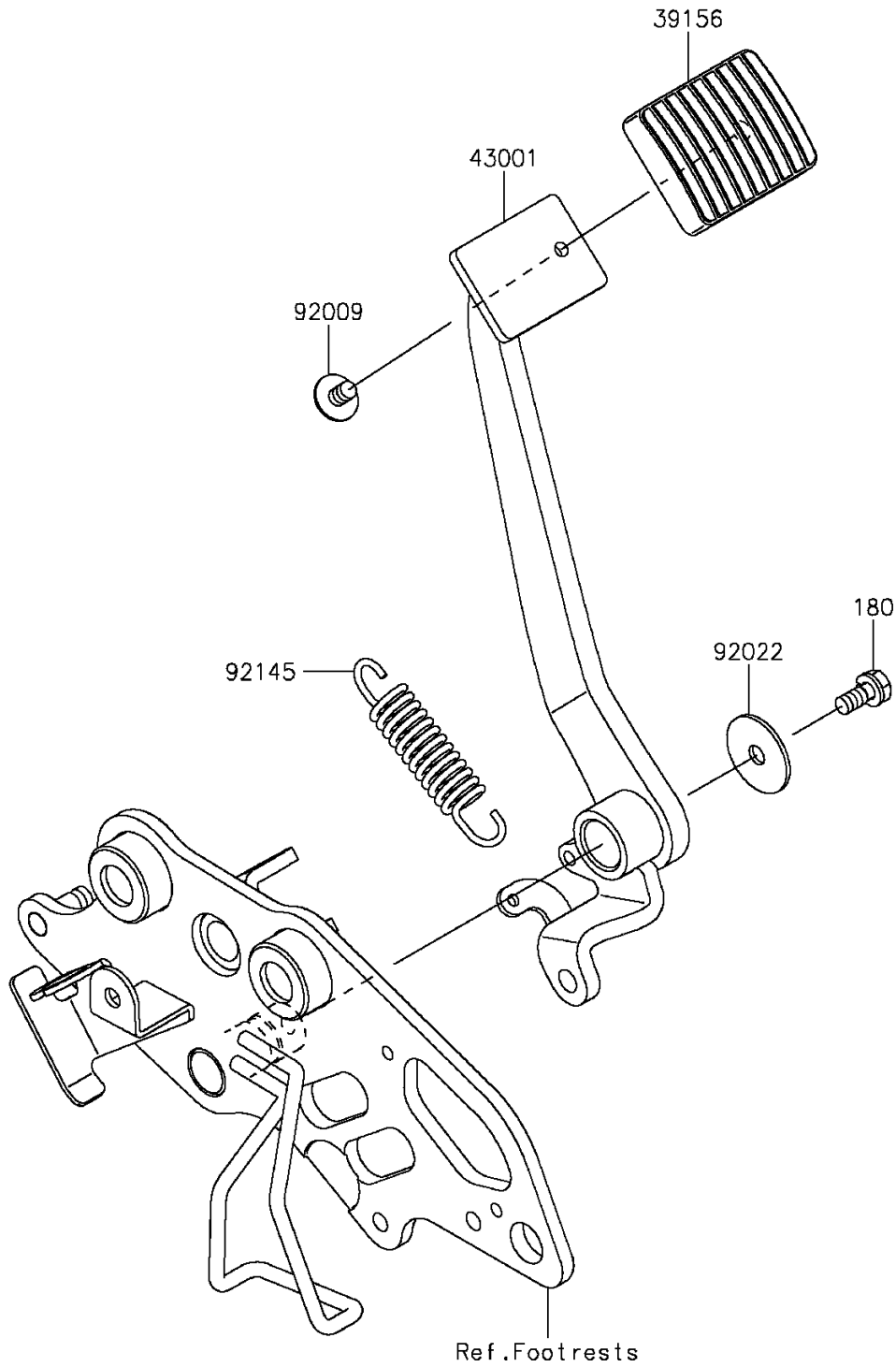


# 2016 VULCAN<sup>®</sup> S ABS PARTS DIAGRAM

Brake Pedal/Torque Link

F2260



## 2016 VULCAN® S ABS PARTS LIST

Brake Pedal/Torque Link

ITEM NAME	PART NUMBER	QUANTITY
-----------	-------------	----------