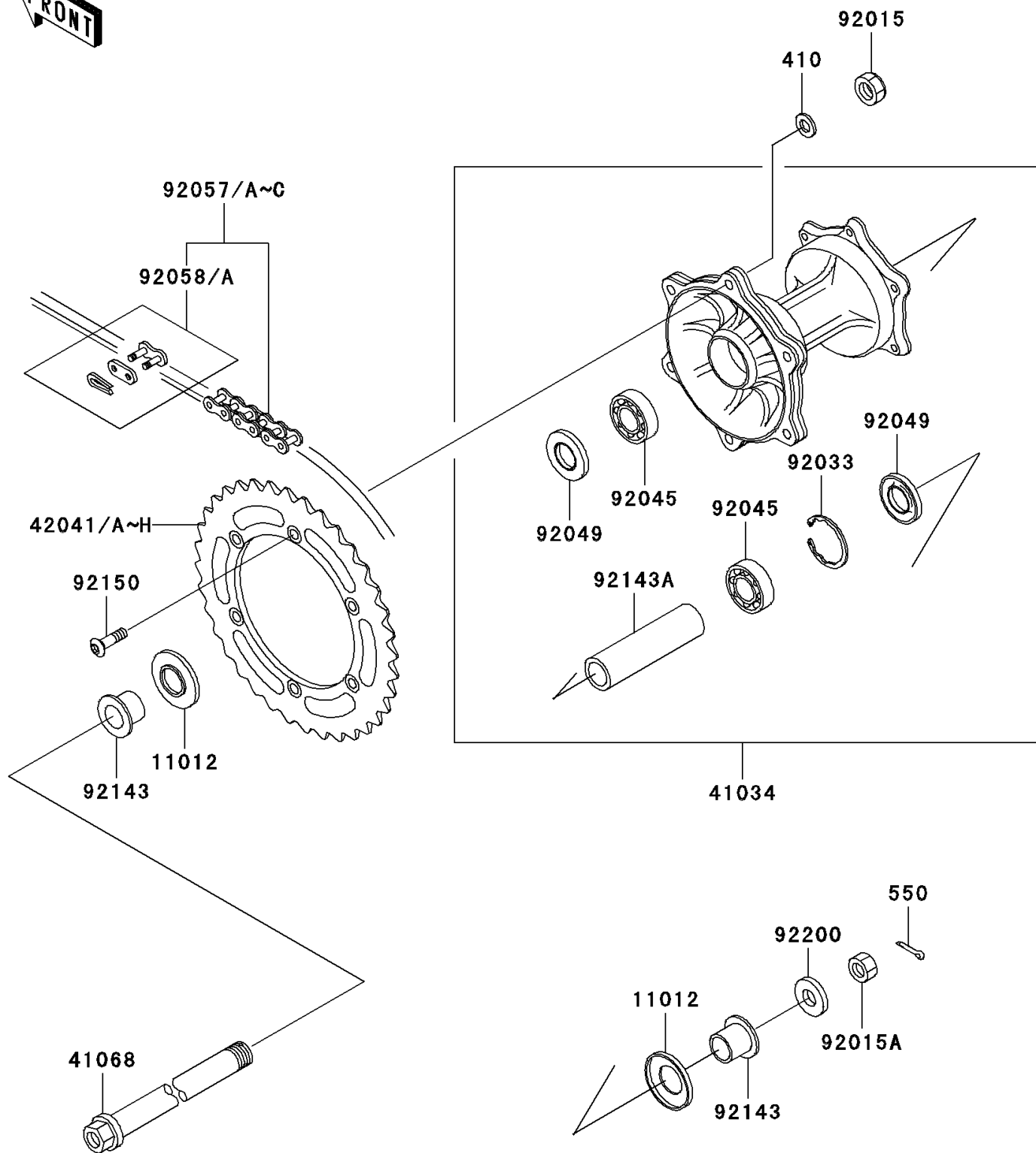


2000 KDX200 PARTS DIAGRAM

Rear Hub

F2240



2000 KDX200 PARTS LIST

Rear Hub

| ITEM NAME | PART NUMBER | QUANTITY |
|---|-------------|----------|
| WASHER-PLAIN-SMALL,8MM (Ref # 410) | 410B0800 | 1 |
| PIN-COTTER,3.0X25 (Ref # 550) | 550D3025 | 1 |
| CAP,AXLE (Ref # 11012) | 11012-1581 | 1 |
| DRUM-ASSY,REAR BRAKE (Ref # 41034) | 41034-1216 | 1 |
| AXLE,RR (Ref # 41068) | 41068-1341 | 1 |
| SPROCKET-HUB,44T (Ref # 42041) | 42041-1323 | 1 |
| SPROCKET-HUB,46T (Ref # 42041A) | 42041-1381 | 1 |
| SPROCKET-HUB,47T (Ref # 42041B) | 42041-1382 | 1 |
| SPROCKET-HUB,48T (Ref # 42041C) | 42041-1383 | 1 |
| SPROCKET-HUB,49T (Ref # 42041D) | 42041-1384 | 1 |
| SPROCKET-HUB,50T (Ref # 42041E) | 42041-1408 | 1 |
| SPROCKET-HUB,45T (Ref # 42041F) | 42041-1413 | 1 |
| SPROCKET-HUB,51T (Ref # 42041G) | 42041-1428 | 1 |
| SPROCKET-HUB,43T (Ref # 42041H) | 42041-1436 | 1 |
| NUT,8MM (Ref # 92015) | 92015-1432 | 1 |
| NUT,LOCK,20MM (Ref # 92015A) | 92015-1770 | 1 |
| RING-SNAP,42MM (Ref # 92033) | 92033-1041 | 1 |
| BEARING-BALL,6004X8JRLX2/3A (Ref # 92045) | 92045-1239 | 1 |
| SEAL-OIL,BJNC2 25425 (Ref # 92049) | 92049-1203 | 1 |
| CHAIN,DRIVE,DID520DS5X110L (Ref # 92057) | 92057-1388 | 1 |
| CHAIN,DRIVE,DID520DS5X108L (Ref # 92057A) | 92057-1396 | 1 |
| CHAIN,DRIVE,EK520SR-02X108L (Ref # 92057B) | 92057-1400 | 1 |
| CHAIN,DRIVE,EK520SR-02X110L (Ref # 92057C) | 92057-1401 | 1 |
| JOINT-CHAIN,DRIVE,EK520SR-02 (Ref # 92058) | 92058-1060 | 1 |
| JOINT-CHAIN,DRIVE,DID520 DS5 (Ref # 92058A) | 92058-1071 | 1 |
| COLLAR,RR AXLE,L=22 (Ref # 92143) | 92143-1259 | 1 |
| COLLAR,RR BRAKE DRUM,L=105 (Ref # 92143A) | 92143-1402 | 1 |
| BOLT,SOCKET,8X28 (Ref # 92150) | 92150-1978 | 1 |
| WASHER,20.2X36X2 (Ref # 92200) | 92200-1146 | 1 |