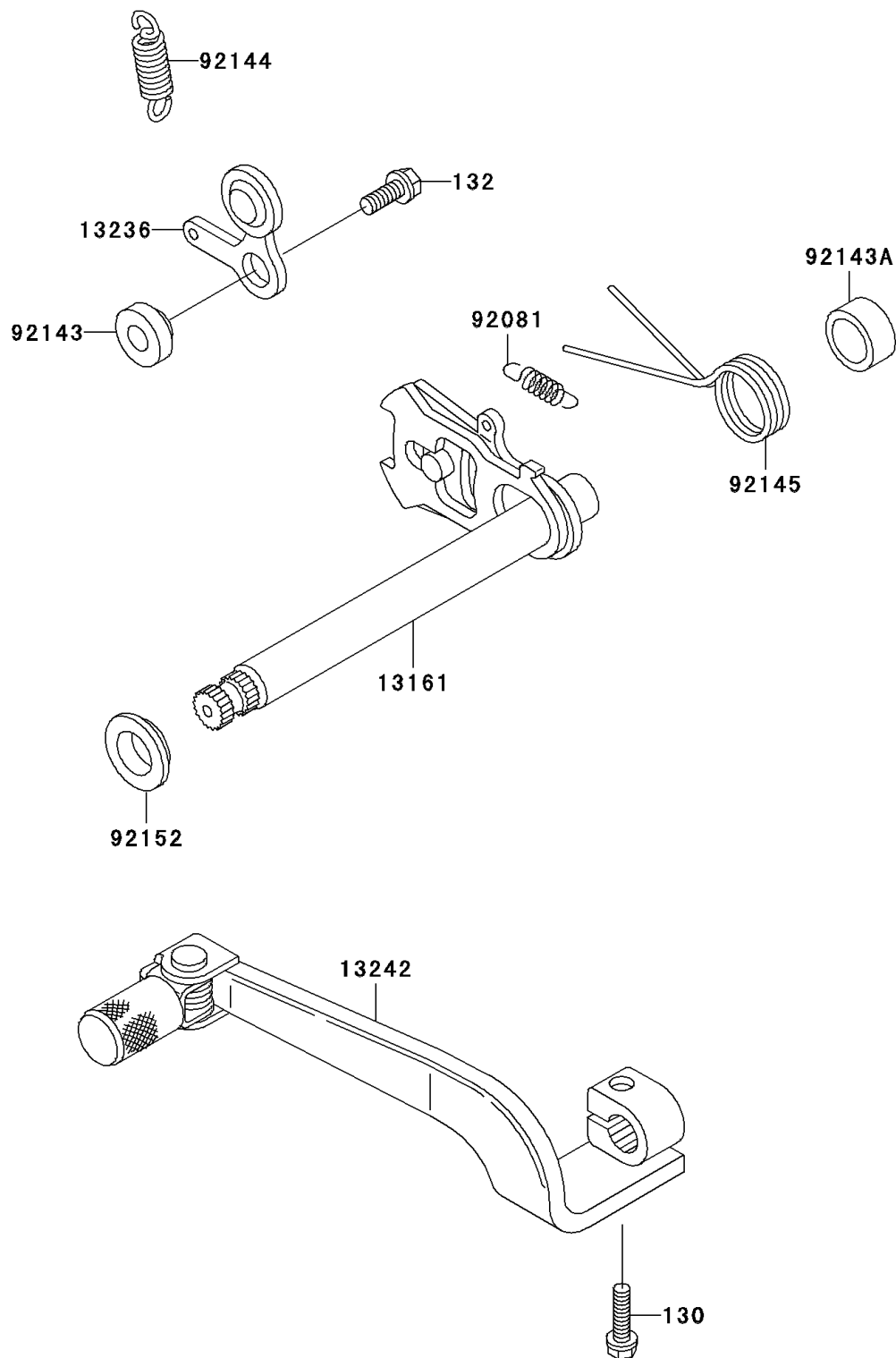


## 2000 KDX200 PARTS DIAGRAM

Gear Change Mechanism

E1370



## 2000 KDX200 PARTS LIST

Gear Change Mechanism

| ITEM NAME                             | PART NUMBER | QUANTITY |
|---------------------------------------|-------------|----------|
| BOLT-FLANGED (Ref # 130)              | 130Z0630    | 1        |
| BOLT-FLANGED-SMALL (Ref # 132)        | 132Y0616    | 1        |
| LEVER-COMP-CHANGE SHAFT (Ref # 13161) | 13161-1217  | 1        |
| LEVER-COMP,POSITION (Ref # 13236)     | 13236-1189  | 1        |
| LEVER-ASSY-CHANGE,PEDAL (Ref # 13242) | 13242-1319  | 1        |
| SPRING,CHANGE LEVER (Ref # 92081)     | 92081-076   | 1        |
| COLLAR (Ref # 92143)                  | 92143-1055  | 1        |
| COLLAR (Ref # 92143A)                 | 92143-1148  | 1        |
| SPRING (Ref # 92144)                  | 92144-1382  | 1        |
| SPRING (Ref # 92145)                  | 92145-1368  | 1        |
| COLLAR (Ref # 92152)                  | 92152-1075  | 1        |