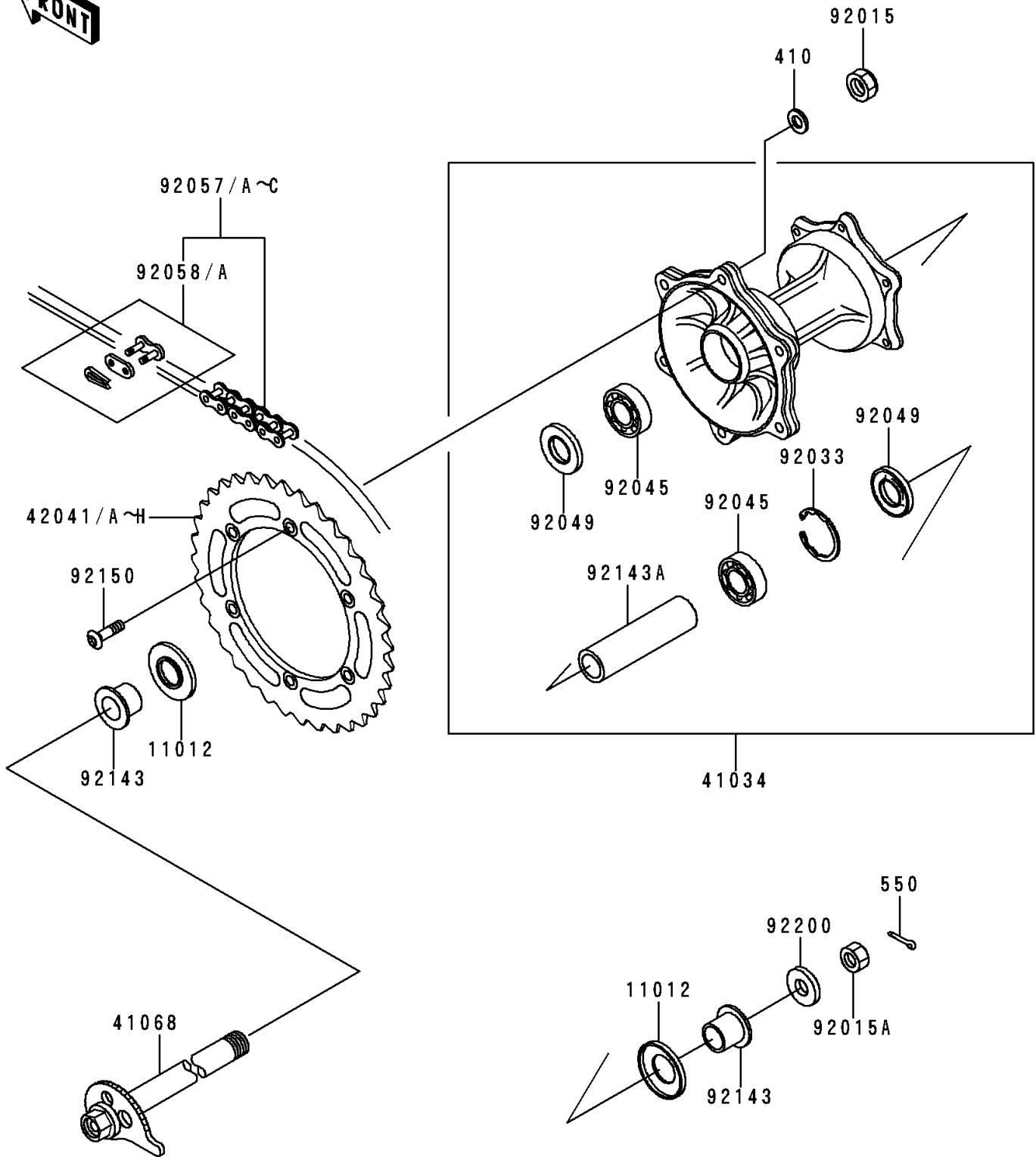


## 1996 KDX200 PARTS DIAGRAM

Rear Hub

F2240



## 1996 KDX200 PARTS LIST

### Rear Hub

ITEM NAME	PART NUMBER	QUANTITY
WASHER-PLAIN-SMALL,8MM (Ref # 410)	410B0800	1
PIN-COTTER,3.0X25 (Ref # 550)	550D3025	1
CAP,AXLE (Ref # 11012)	11012-1581	1
DRUM-ASSY,REAR BRAKE (Ref # 41034)	41034-1216	1
AXLE,RR (Ref # 41068)	41068-1340	1
SPROCKET-HUB,44T (Ref # 42041)	42041-1323	1
SPROCKET-HUB,46T (Ref # 42041A)	42041-1381	1
SPROCKET-HUB,47T (Ref # 42041B)	42041-1382	1
SPROCKET-HUB,48T (Ref # 42041C)	42041-1383	1
SPROCKET-HUB,49T (Ref # 42041D)	42041-1384	1
SPROCKET-HUB,50T (Ref # 42041E)	42041-1408	1
SPROCKET-HUB,45T (Ref # 42041F)	42041-1413	1
SPROCKET-HUB,51T (Ref # 42041G)	42041-1428	1
SPROCKET-HUB,43T (Ref # 42041H)	42041-1436	1
NUT,8MM (Ref # 92015)	92015-1432	1
NUT,LOCK,20MM (Ref # 92015A)	92015-1770	1
RING-SNAP,42MM (Ref # 92033)	92033-1041	1
BEARING-BALL,6004X8JRLX2/3A (Ref # 92045)	92045-1239	1
SEAL-OIL,BJNC2 25425 (Ref # 92049)	92049-1203	1
CHAIN,DRIVE,DID520DS5X110L (Ref # 92057)	92057-1388	1
CHAIN,DRIVE,DID520DS5X108L (Ref # 92057A)	92057-1396	1
CHAIN,DRIVE,EK520SR-O2X108L (Ref # 92057B)	92057-1400	1
CHAIN,DRIVE,EK520SR-O2X110L (Ref # 92057C)	92057-1401	1
JOINT-CHAIN (Ref # 92058)	92058-1060	1
JOINT-CHAIN,DRIVE,DID520 DS5 (Ref # 92058A)	92058-1071	1
COLLAR,RR AXLE,L=22 (Ref # 92143)	92143-1259	1
COLLAR,RR BRAKE DRUM,L=105 (Ref # 92143A)	92143-1402	1
BOLT,SOCKET,8X28 (Ref # 92150)	92150-1978	1
WASHER,20.2X36X2 (Ref # 92200)	92200-1146	1