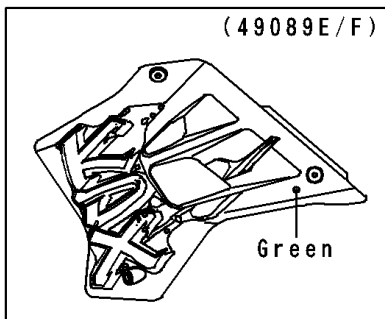
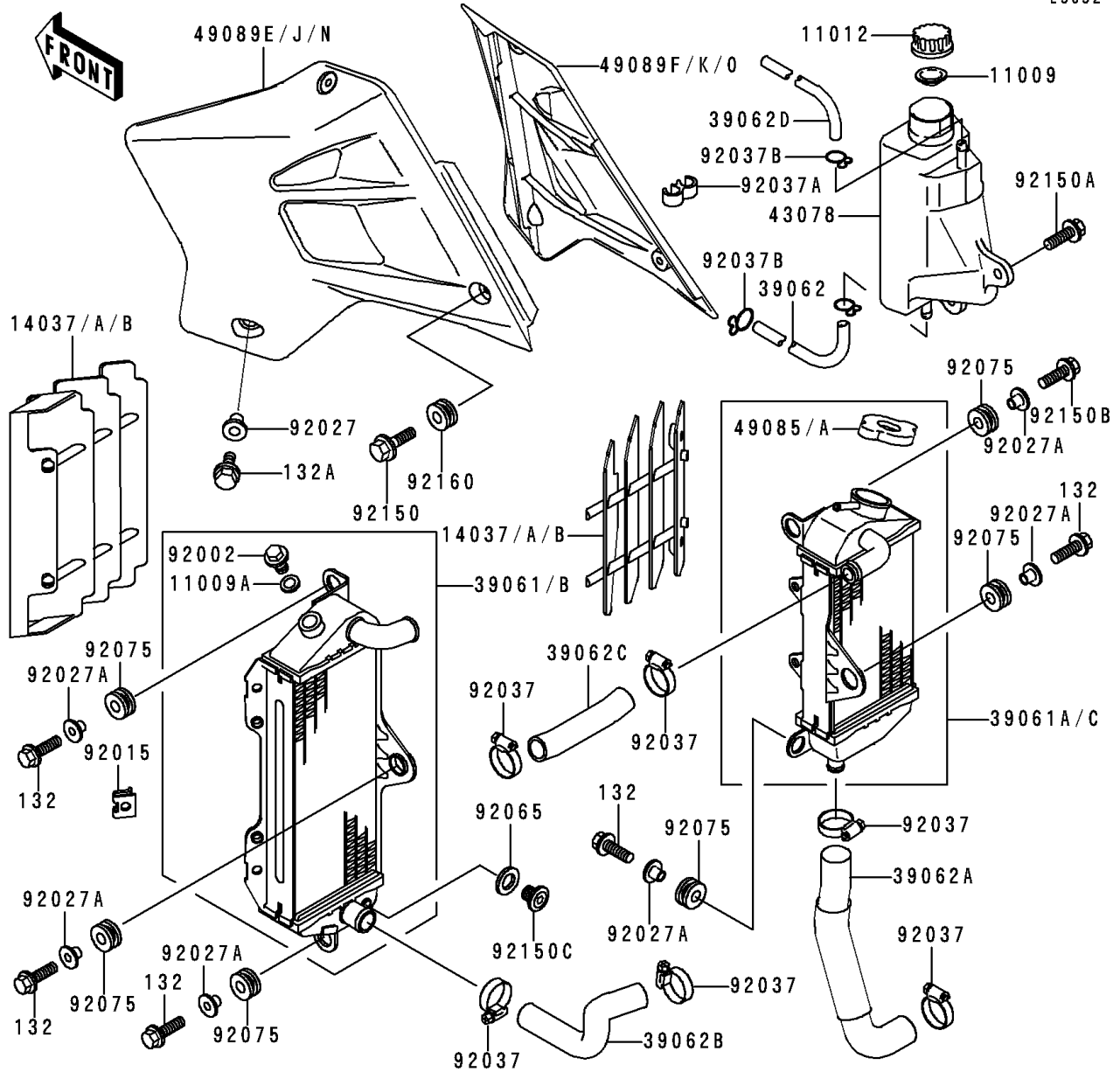


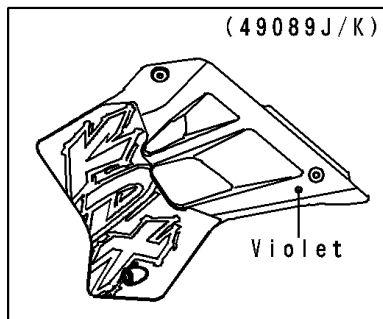
## 1996 KDX200 PARTS DIAGRAM

Radiator(KDX200-H1-H3)

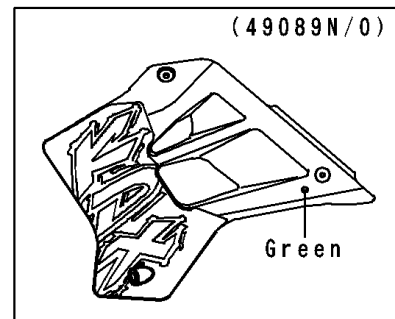
E3032



WD



WD



WD

## 1996 KDX200 PARTS LIST

Radiator(KDX200-H1-H3)

ITEM NAME	PART NUMBER	QUANTITY
GASKET,RESERVOIR TANK CAP (Ref # 11009)	11009-1145	1
GASKET,DRAIN BOLT (Ref # 11009A)	11009-1152	1
CAP (Ref # 11012)	11012-1084	1
SCREEN,J.S.VIOLET (Ref # 14037)	14037-1099-RE	1
RADIATOR-ASSY,LH (Ref # 39061)	39061-1171	1
RADIATOR-ASSY,RH (Ref # 39061A)	39061-1202	1
HOSE-COOLING,5X9X700 (Ref # 39062)	39062-1423	1
HOSE-COOLING,RADIATOR,RH-PUMP (Ref # 39062A)	39062-1579	1
HOSE-COOLING,HEAD-RADIATOR,LH (Ref # 39062B)	39062-1580	1
HOSE-COOLING,RADIATOR-RADIATOR (Ref # 39062C)	39062-1609	1
HOSE-COOLING,5X9X368.5 (Ref # 39062D)	39062-1619	1
RESERVOIR (Ref # 43078)	43078-1142	1
CAP-ASSY-PRESSURE (Ref # 49085)	49085-1066	1
SHROUD-ENGINE,LH,J.S.VIOLET (Ref # 49089J)	49089-5258-RE	1
SHROUD-ENGINE,RH,J.S.VIOLET (Ref # 49089K)	49089-5259-RE	1
BOLT-FLANGED-SMALL (Ref # 132)	132Y0620	1
BOLT-FLANGED-SMALL (Ref # 132A)	132Y0625	1
BOLT,RADIATOR DRAIN (Ref # 92002)	92002-1682	1
NUT (Ref # 92015)	92015-1487	1
COLLAR (Ref # 92027)	92027-1183	1
COLLAR,L=13.1 (Ref # 92027A)	92027-251	1
CLAMP,COOLING HOSE (Ref # 92037)	92037-1589	1
CLAMP,HOSE (Ref # 92037A)	92037-1603	1
CLAMP (Ref # 92037B)	92037-1712	1
GASKET,10.5X16X1,DRAIN PLUG (Ref # 92065)	92065-058	1
DAMPER (Ref # 92075)	92075-209	1
BOLT,6X12 (Ref # 92150)	92150-1435	1
BOLT,FLANGED,6X14 (Ref # 92150A)	92150-1504	1
BOLT,FLANGED,6X25 (Ref # 92150B)	92150-1507	1

## 1996 KDX200 PARTS LIST

Radiator(KDX200-H1-H3)

ITEM NAME	PART NUMBER	QUANTITY
BOLT,10X10 (Ref # 92150C)	92150-1867	1
DAMPER (Ref # 92160)	92160-1167	1