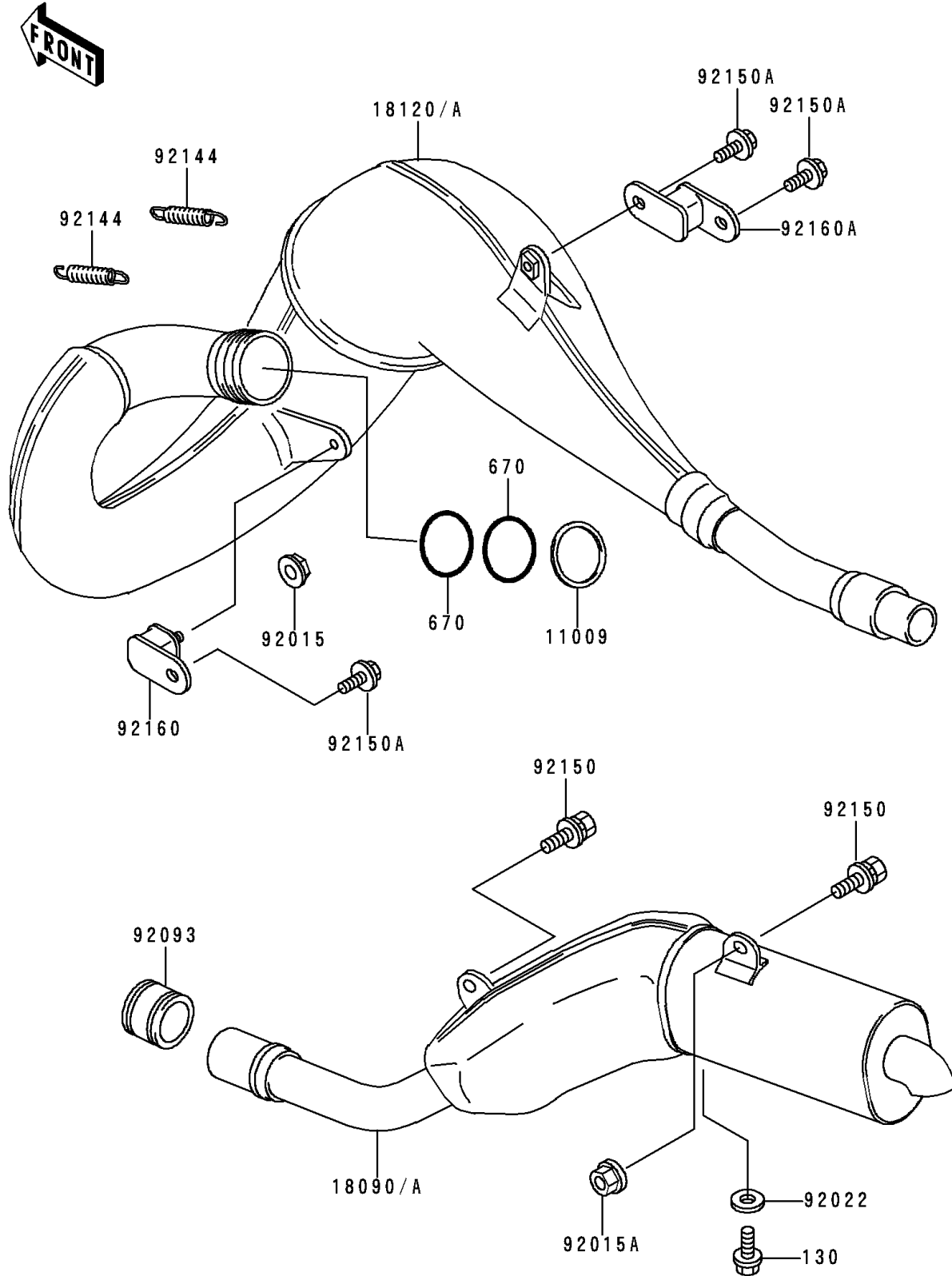


1999 KDX200 PARTS DIAGRAM

Muffler(s)

E1140



1999 KDX200 PARTS LIST

Muffler(s)

ITEM NAME	PART NUMBER	QUANTITY
BOLT-FLANGED (Ref # 130)	130J0812	1
O RING,39MM (Ref # 670)	670E3039	1
GASKET,EXHAUST PIPE (Ref # 11009)	11009-1995	1
BODY-COMP-MUFFLER (Ref # 18090A)	18090-1566	1
CHAMBER-EXHAUST (Ref # 18120A)	18120-1074	1
NUT,6MM (Ref # 92015)	92015-1365	1
NUT,FLANGED,LOCK,8MM (Ref # 92015A)	92015-1668	1
WASHER,8.2X14X1.0 (Ref # 92022)	92022-1488	1
SEAL,MUFFLER CONNECTING (Ref # 92093)	92093-1328	1
SPRING (Ref # 92144)	92144-1035	1
BOLT,8X20 (Ref # 92150)	92150-1859	1
BOLT,6X12 (Ref # 92150A)	92150-1891	1
DAMPER,MUFFLER,FR (Ref # 92160)	92160-1176	1
DAMPER,MUFFLER,RR (Ref # 92160A)	92160-1201	1