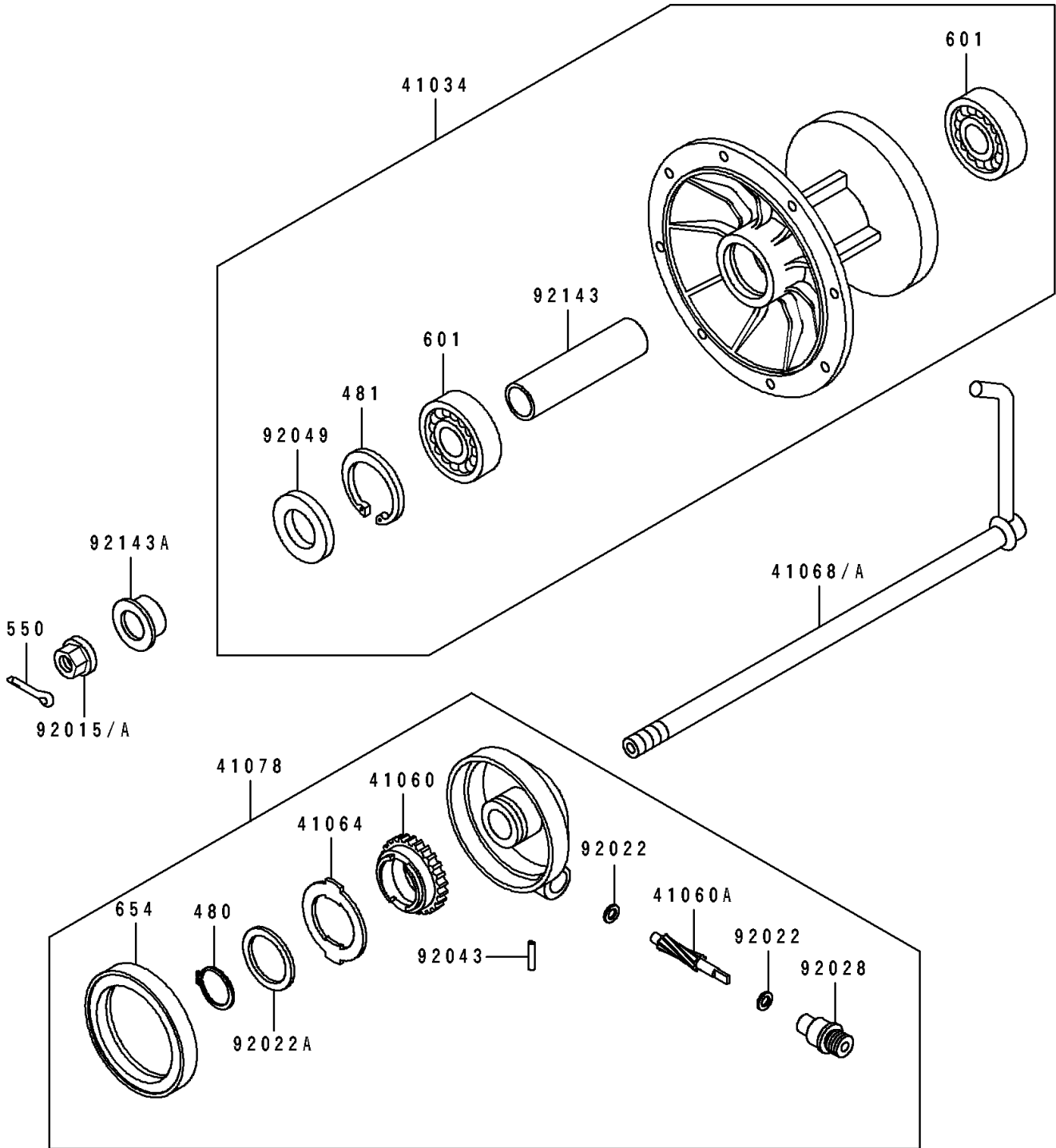


# 1991 KDX200 PARTS DIAGRAM

Front Hub

F2230



# 1991 KDX200 PARTS LIST

## Front Hub

| ITEM NAME                               | PART NUMBER | QUANTITY |
|---|-------------|----------|
| DRUM-ASSY,FRONT BRAKE (Ref # 41034)     | 41034-1156  | 1        |
| GEAR-METER SCREW (Ref # 41060)          | 41059-027   | 1        |
| GEAR-METER SCREW,8T (Ref # 41060A)      | 41060-015   | 1        |
| RECEIVER-SPEEDOMETER (Ref # 41064)      | 41064-015   | 1        |
| AXLE,FR (Ref # 41068A)                  | 41068-1291  | 1        |
| CASE-ASSY-METER GEAR (Ref # 41078)      | 41078-011   | 1        |
| NUT,FLANGED,14MM (Ref # 92015)          | 92015-1401  | 1        |
| WASHER,5.1X9X0.4 (Ref # 92022)          | 41063-001   | 2        |
| WASHER,24.5X32X0.8 (Ref # 92022A)       | 41065-005   | 1        |
| BUSHING,SPEEDOMETER CABLE (Ref # 92028) | 41062-005   | 1        |
| PIN,SPRING (Ref # 92043)                | 41082-001   | 1        |
| SEAL-OIL,MH20354.5 (Ref # 92049)        | 92049-1176  | 1        |
| COLLAR,15.2X19X75 (Ref # 92143)         | 92027-1958  | 1        |
| COLLAR,L=12 (Ref # 92143A)              | 92027-1959  | 1        |
| CIRCLIP-TYPE-C,24MM (Ref # 480)         | 480J2400    | 1        |
| CIRCLIP-TYPE-C,35MM (Ref # 481)         | 481J3500    | 1        |
| PIN-COTTER,3.0X25 (Ref # 550)           | 550D3025    | 1        |
| BEARING-BALL,#6202UG (Ref # 601)        | 601B6202UG  | 2        |
| OIL SEAL,#50659 (Ref # 654)             | 654A506509  | 1        |