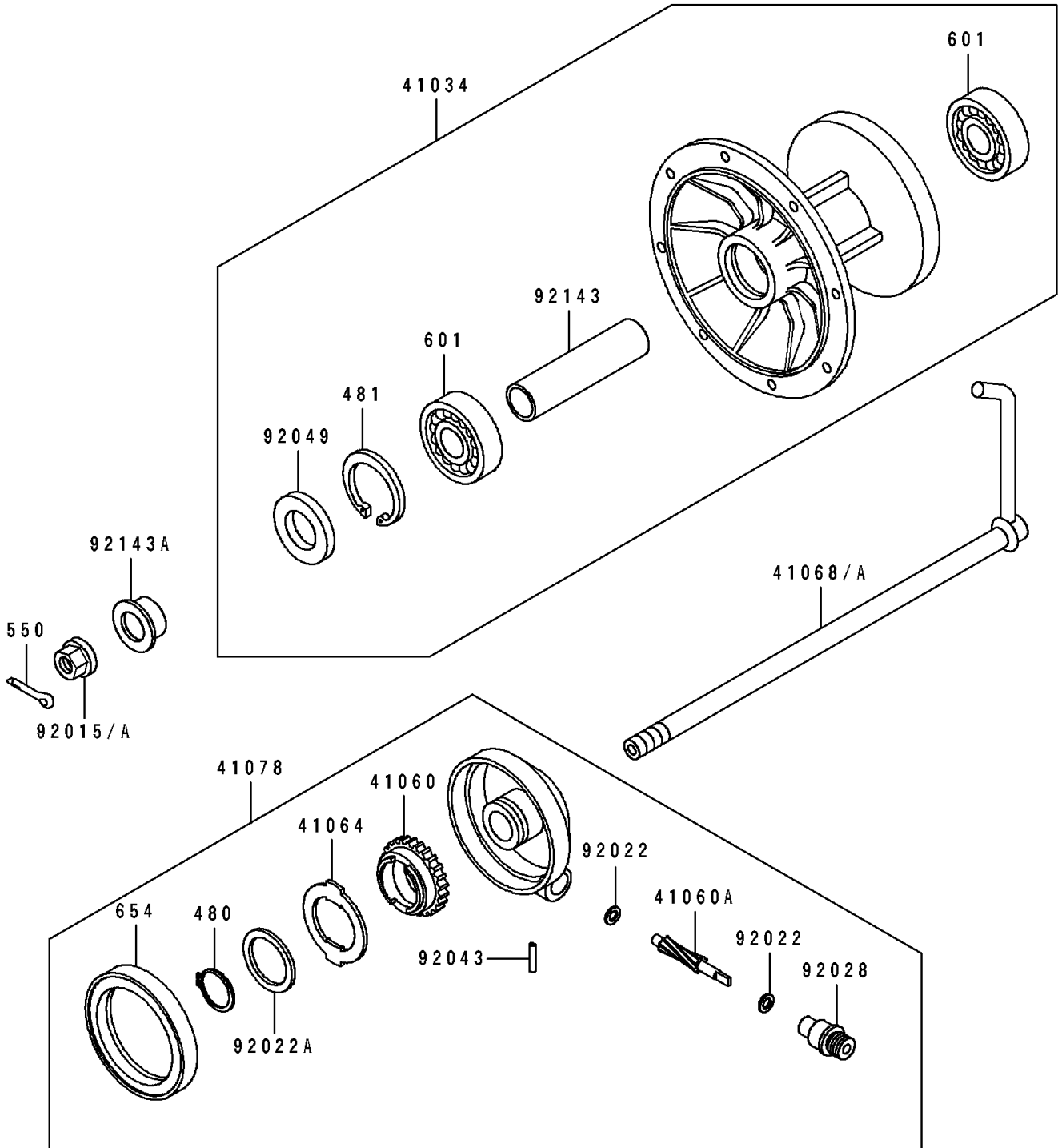


## 1989 KDX200 PARTS DIAGRAM

Front Hub

F2230



## 1989 KDX200 PARTS LIST

Front Hub

ITEM NAME	PART NUMBER	QUANTITY
DRUM-ASSY,FRONT BRAKE (Ref # 41034)	41034-1156	1
GEAR-METER SCREW (Ref # 41060)	41059-027	1
GEAR-METER SCREW,8T (Ref # 41060A)	41060-015	1
RECEIVER-SPEEDOMETER (Ref # 41064)	41064-015	1
AXLE,FR (Ref # 41068)	41068-1210	1
CASE-ASSY-METER GEAR (Ref # 41078)	41078-011	1
NUT,14MM (Ref # 92015A)	92015-1407	1
WASHER,5.1X9X0.4 (Ref # 92022)	41063-001	1
WASHER,24.5X32X0.8 (Ref # 92022A)	41065-005	1
BUSHING,SPEEDOMETER CABLE (Ref # 92028)	41062-005	1
PIN,SPRING (Ref # 92043)	41082-001	1
SEAL-OIL,MH20354.5 (Ref # 92049)	92049-1176	1
COLLAR,15.2X19X75 (Ref # 92143)	92027-1958	1
COLLAR,L=12 (Ref # 92143A)	92027-1959	1
CIRCLIP-TYPE-C,24MM (Ref # 480)	480J2400	1
CIRCLIP-TYPE-C,35MM (Ref # 481)	481J3500	1
BEARING-BALL,#6202UG (Ref # 601)	601B6202UG	1
OIL SEAL,#50659 (Ref # 654)	654A506509	1