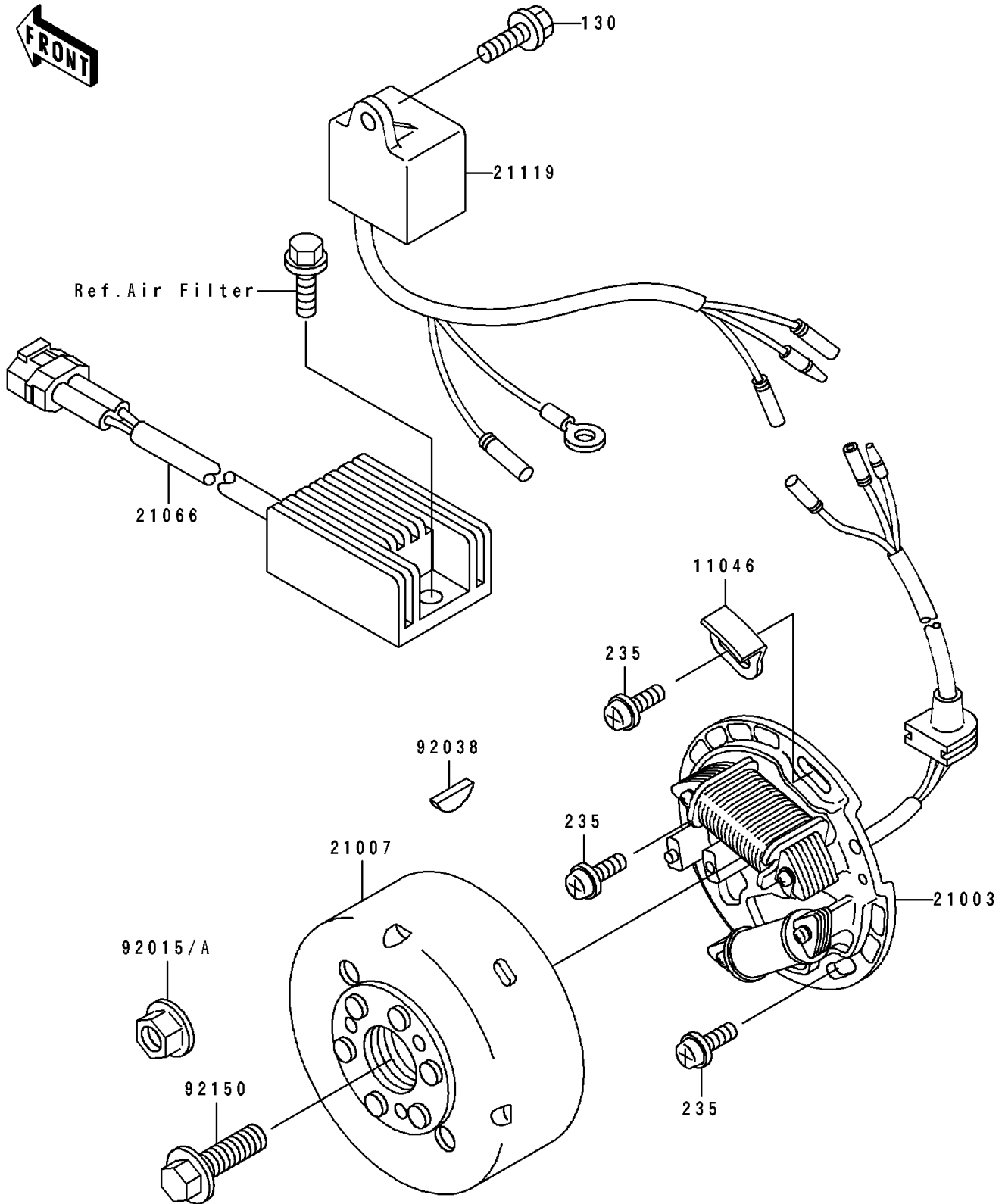


1990 KDX200 PARTS DIAGRAM

Generator

E1810



1990 KDX200 PARTS LIST

Generator

ITEM NAME	PART NUMBER	QUANTITY
BRACKET (Ref # 11046)	11046-1413	1
STATOR (Ref # 21003)	21003-1192	1
ROTOR (Ref # 21007)	21007-1177	1
REGULATOR-VOLTAGE (Ref # 21066)	21066-1072	1
IGNITER (Ref # 21119)	21119-1257	1
NUT,FLANGED,12MM (Ref # 92015)	92015-1156	1
KEY,WOODRUFF (Ref # 92038)	92038-001	1
BOLT-FLANGED,6X16 (Ref # 130)	130G0616	1
SCREW-PAN-WP-CROS (Ref # 235)	235B0516	3