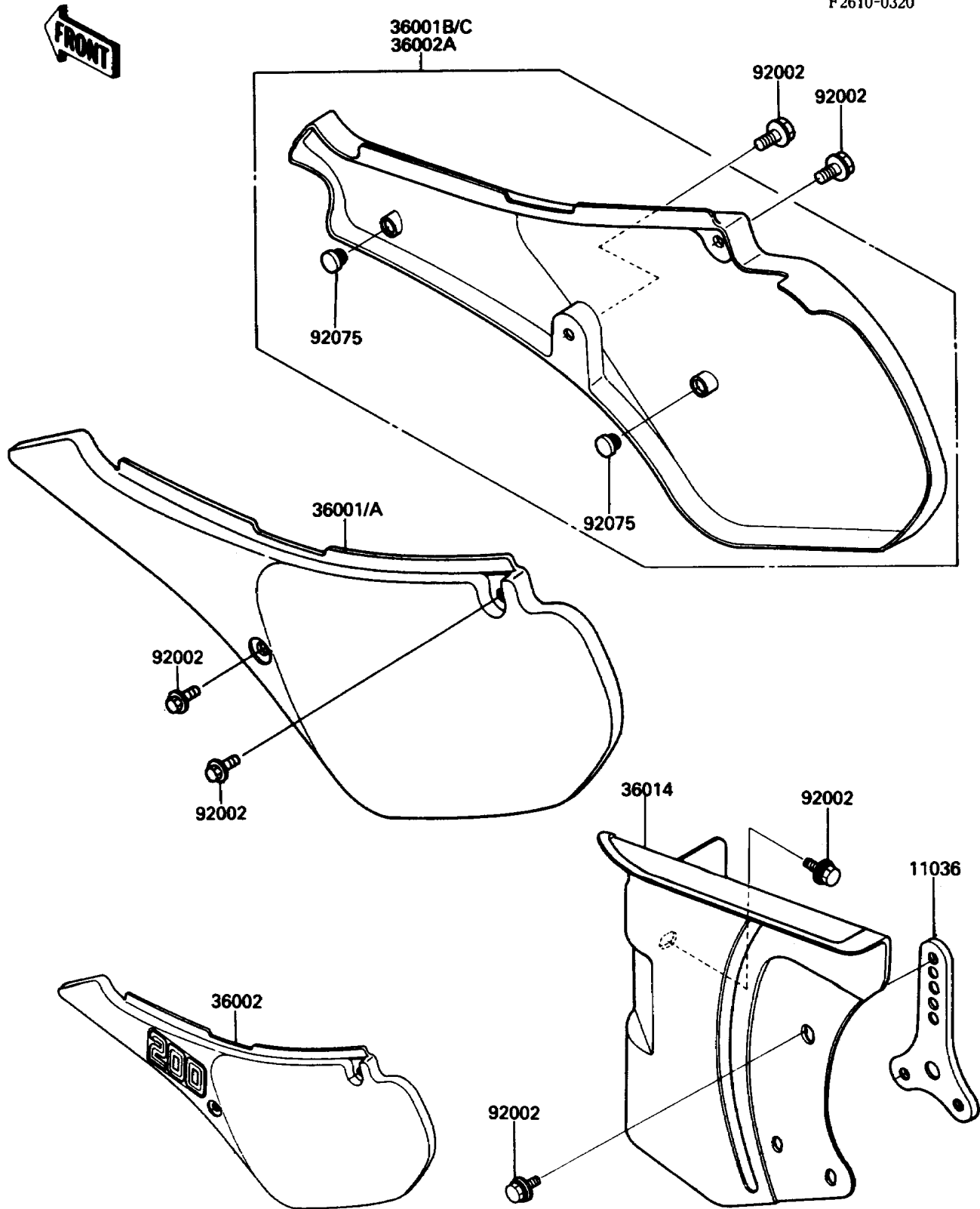


1988 KDX200 PARTS DIAGRAM

Side Covers/Chain Cover

F2610-0320



1988 KDX200 PARTS LIST

Side Covers/Chain Cover

ITEM NAME	PART NUMBER	QUANTITY
BRACKET-A,CHAIN CASE (Ref # 11036)	11036-1743	1
COVER-SIDE,LH,L.GREEN/F.WHITE (Ref # 36001)	36001-1279-AC	1
COVER-SIDE,LH,WHITE/BLUE (Ref # 36001A)	36001-1279-AJ	1
COVER-SIDE,RH,GREEN/WHITE (Ref # 36001B)	36001-1377-AC	1
COVER-SIDE,RH,WHITE/BLUE (Ref # 36001C)	36001-1377-AJ	1
CASE-CHAIN (Ref # 36014)	36014-1136	1
BOLT,6X16 (Ref # 92002)	92002-1461	6
DAMPER (Ref # 92075)	92075-1598	2