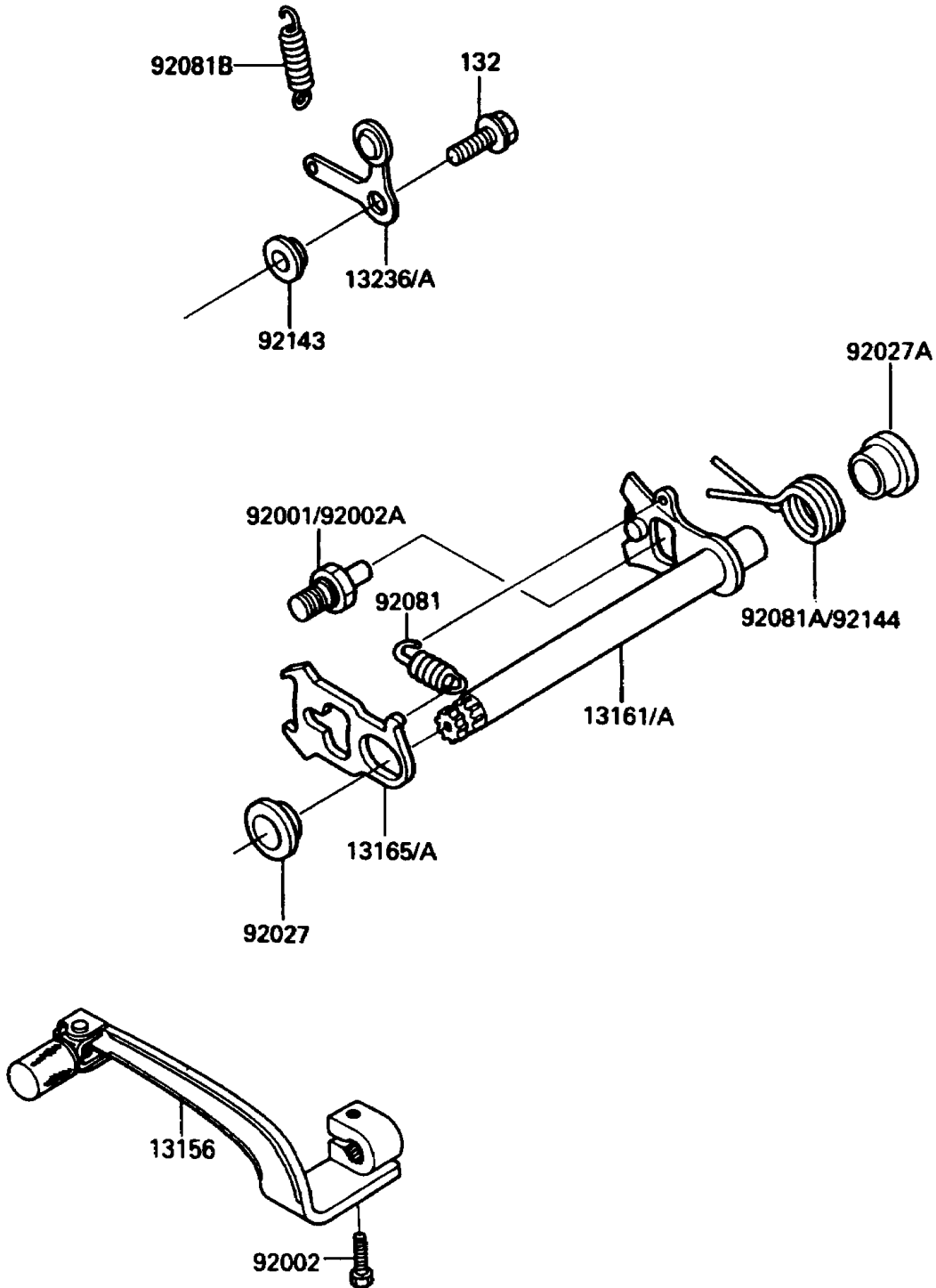


1988 KDX200 PARTS DIAGRAM

Gear Change Mechanism

E1370-0146



1988 KDX200 PARTS LIST

Gear Change Mechanism

ITEM NAME	PART NUMBER	QUANTITY
LEVER-CHANGE,PEDAL (Ref # 13156)	13156-1220	1
LEVER-COMP-CHANGE SHAFT (Ref # 13161A)	13161-1148	1
PAWL,CHANGE LEVER (Ref # 13165A)	13165-1122	1
LEVER-COMP,POSITION (Ref # 13236A)	13236-1155	1
BOLT,6X25 (Ref # 92002)	92002-1339	1
BOLT,8X15 (Ref # 92002A)	92002-1601	1
COLLAR,CHANGE SHAFT,L=5.5 (Ref # 92027)	92027-1512	1
COLLAR,L=10.6 (Ref # 92027A)	92027-1801	1
SPRING,CHANGE LEVER (Ref # 92081)	92081-076	1
SPRING,CHANGE DRUM LEVER (Ref # 92081B)	92083-012	1
COLLAR (Ref # 92143)	92143-1055	1
SPRING,CHANGE SHAFT RETURN (Ref # 92144)	92144-1142	1
BOLT-FLANGED-SMALL (Ref # 132)	132G0616	1