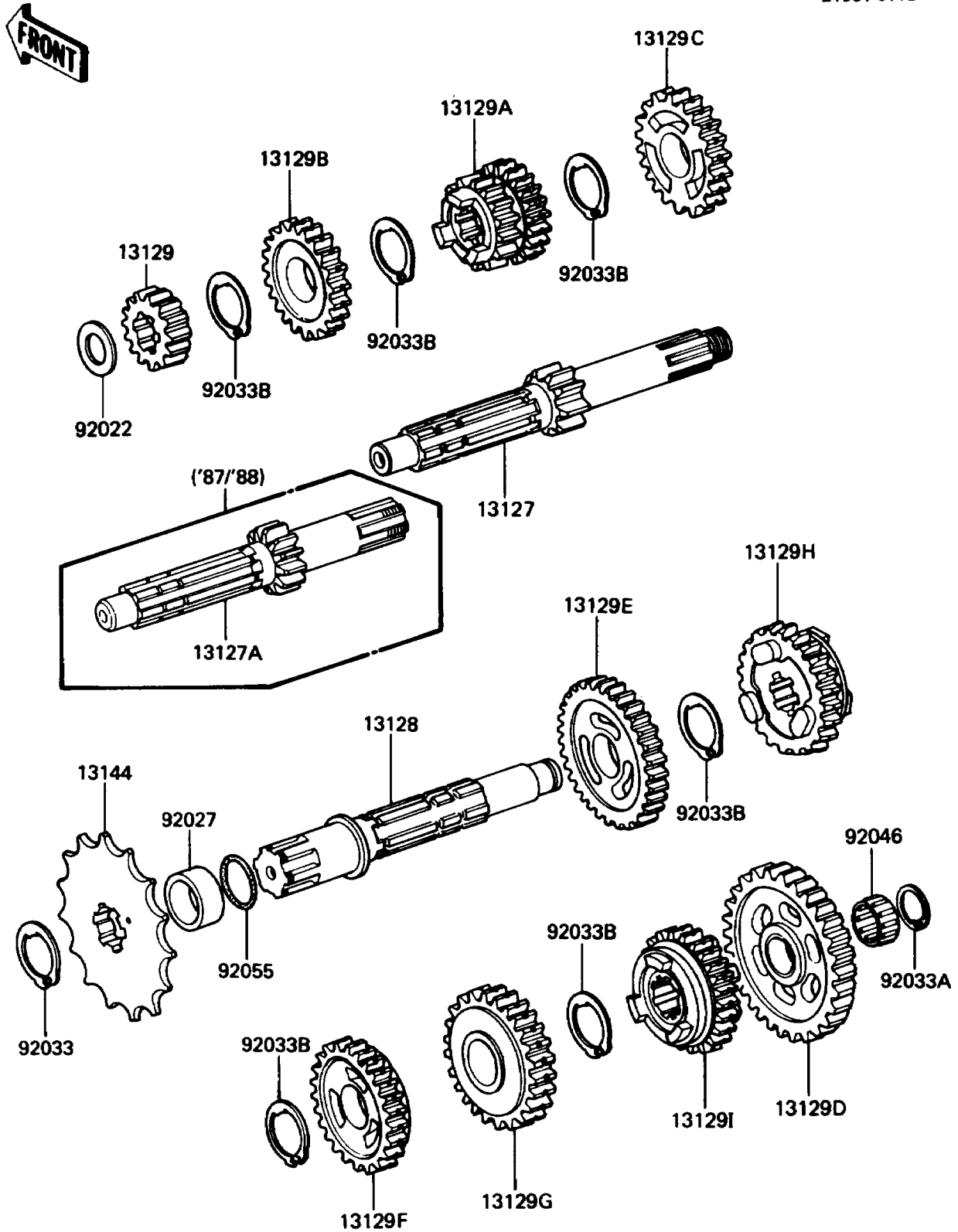


# 1988 KDX200 PARTS DIAGRAM

Transmission

E1361-0112



# 1988 KDX200 PARTS LIST

## Transmission

ITEM NAME	PART NUMBER	QUANTITY
SHAFT-TRANSMISSION INPUT,13T (Ref # 13127A)	13127-1141	1
SHAFT-TRANSMISSION OUTPUT (Ref # 13128)	13128-1129	1
GEAR,INPUT 2ND,14T (Ref # 13129)	13129-1397	1
GEAR,INPUT 3RD&4TH,15T&17T (Ref # 13129A)	13129-1752	1
GEAR,INPUT 5TH,24T (Ref # 13129B)	13129-1753	1
GEAR,INPUT TOP,23T (Ref # 13129C)	13129-1754	1
GEAR,OUTPUT LOW,35T (Ref # 13129D)	13129-1755	1
GEAR,OUTPUT 2ND,28T (Ref # 13129E)	13129-1756	1
GEAR,OUTPUT 3RD,23T (Ref # 13129F)	13129-1757	1
GEAR,OUTPUT 4TH,21T (Ref # 13129G)	13129-1758	1
GEAR,OUTPUT 5TH,25T (Ref # 13129H)	13129-1759	1
GEAR,OUTPUT 6TH,20T (Ref # 13129I)	13129-1760	1
SPROCKET-OUTPUT,13T (Ref # 13144)	13144-1027	1
WASHER,THRUST,16.5X28X1 (Ref # 92022)	92022-170	1
COLLAR,25X30X11.5 (Ref # 92027)	92027-1669	1
RING-SNAP,24MM (Ref # 92033)	92033-026	1
RING-SNAP (Ref # 92033A)	92033-032	1
RING-SNAP,20MM (Ref # 92033B)	92033-1231	6
BEARING-NEEDLE,K17X23X13.8X (Ref # 92046)	92046-1059	1
RING-O (Ref # 92055)	92055-035	1