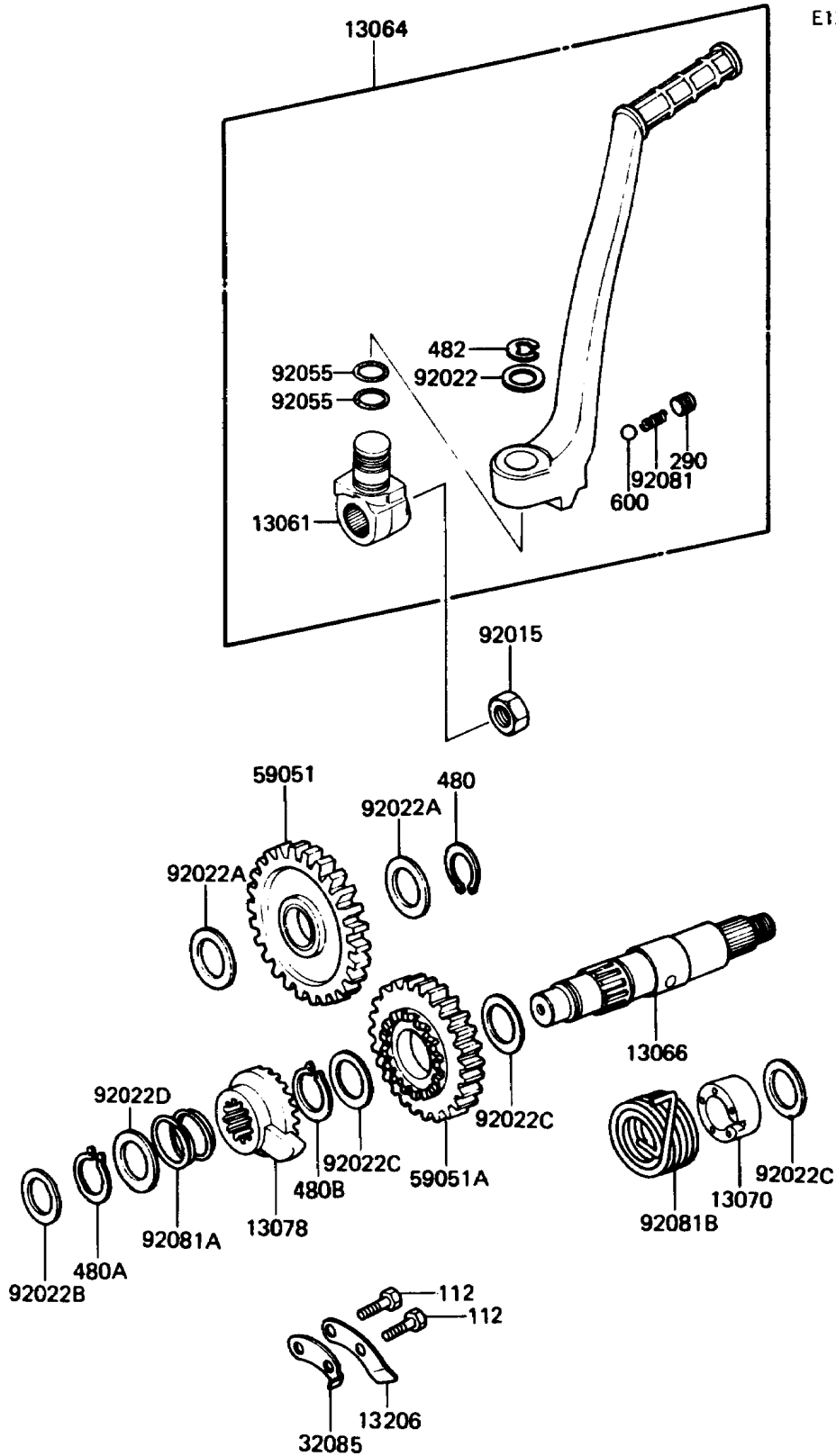


# 1988 KDX200 PARTS DIAGRAM

Kickstarter Mechanism

E1340-0038



# 1988 KDX200 PARTS LIST

## Kickstarter Mechanism

ITEM NAME	PART NUMBER	QUANTITY
BOSS,KICK PEDAL (Ref # 13061)	13061-1190	1
LEVER-ASSY-KICK,PEDAL (Ref # 13064)	13064-1128	1
SHAFT-KICK (Ref # 13066)	13066-1063	1
GUIDE,KICK SPRING (Ref # 13070)	13070-1063	1
RATCHET (Ref # 13078)	13078-1007	1
GUIDE-KICK (Ref # 13206)	13206-1001	1
STOPPER,KICKSTARTER (Ref # 32085)	32085-1016	1
GEAR-SPUR,KICK,30T (Ref # 59051)	59051-1041	1
GEAR-SPUR,KICKSTATER,31T (Ref # 59051A)	59051-1152	1
NUT,12MM (Ref # 92015)	92015-1001	1
WASHER,15.2X20X1 (Ref # 92022)	92022-1019	1
WASHER,15.3X25X0.5 (Ref # 92022A)	92022-1045	2
WASHER,12.3X20X0.5 (Ref # 92022B)	92022-269	1
WASHER,18.3X22X0.5 (Ref # 92022C)	92022-271	3
WASHER,16.8X22X0.5 (Ref # 92022D)	92022-315	1
RING-O,10X1.5 (Ref # 92055)	92055-061	2
SPRING,KICK PEDAL (Ref # 92081)	92081-020	1
SPRING,RATCHET (Ref # 92081A)	92081-122	1
SPRING,KICKSTARTER (Ref # 92081B)	92081-1926	1
BOLT-UPSET (Ref # 112)	112G0618	2
SCREW-SET-SOCKET,8X8 (Ref # 290)	290Q0808	1
CIRCLIP-TYPE-C,15MM (Ref # 480)	480J1500	1
CIRCLIP-TYPE-C,16MM (Ref # 480A)	480J1600	1
CIRCLIP-TYPE-C,18MM (Ref # 480B)	480J1800	1
CIRCLIP-TYPE-E,10MM (Ref # 482)	482L0100	1
BALL-STEEL,1/4" (Ref # 600)	600A0800	1