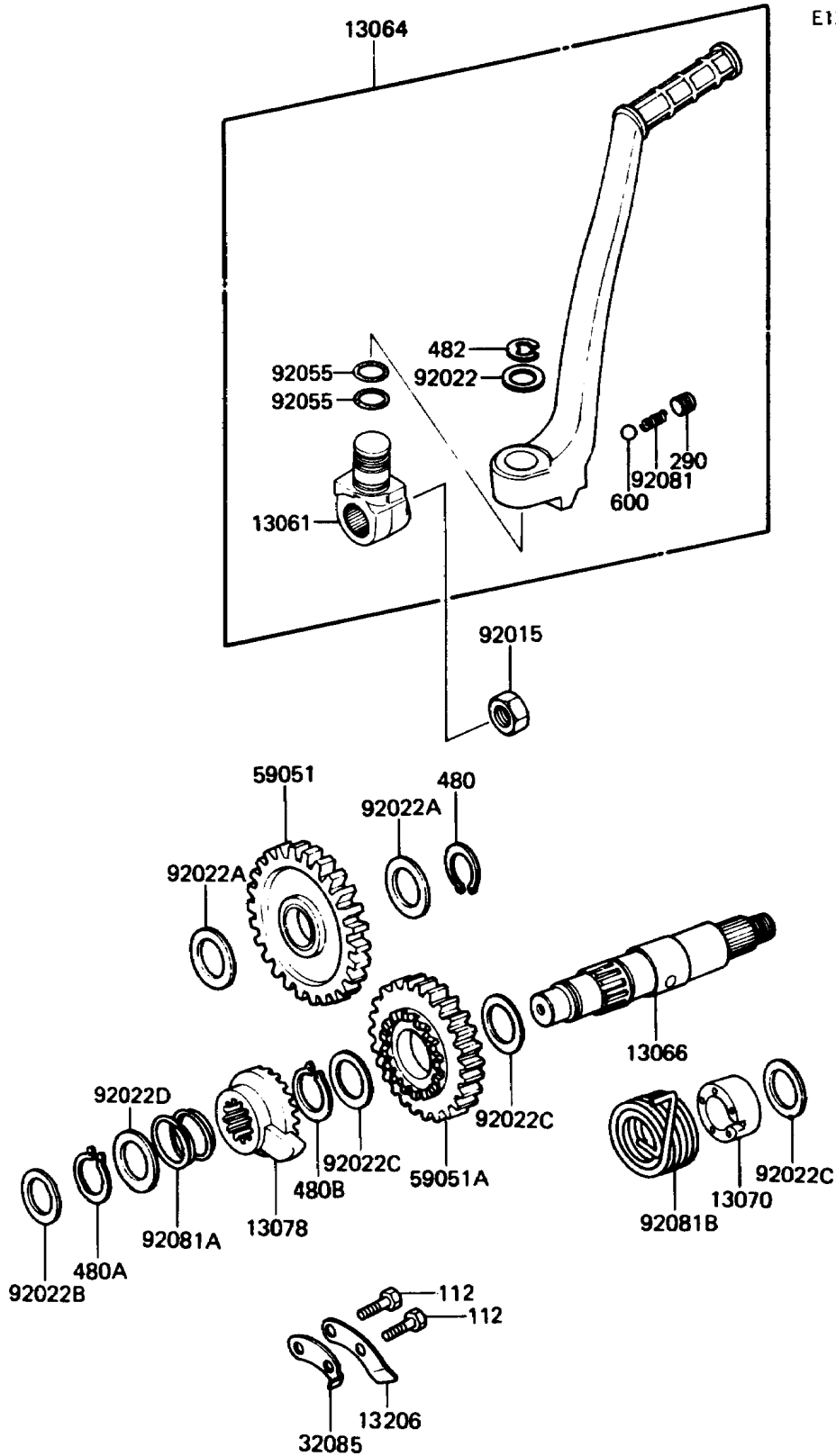


1986 KDX200 PARTS DIAGRAM

Kickstarter Mechanism

E1340-0038



1986 KDX200 PARTS LIST

Kickstarter Mechanism

| ITEM NAME | PART NUMBER | QUANTITY |
|---|-------------|----------|
| BOSS,KICK PEDAL (Ref # 13061) | 13061-1190 | 1 |
| LEVER-ASSY-KICK,PEDAL (Ref # 13064) | 13064-1128 | 1 |
| SHAFT-KICK (Ref # 13066) | 13066-1063 | 1 |
| GUIDE,KICK SPRING (Ref # 13070) | 13070-1063 | 1 |
| RATCHET (Ref # 13078) | 13078-1007 | 1 |
| GUIDE-KICK (Ref # 13206) | 13206-1001 | 1 |
| STOPPER,KICKSTARTER (Ref # 32085) | 32085-1016 | 1 |
| GEAR-SPUR,KICK,30T (Ref # 59051) | 59051-1041 | 1 |
| GEAR-SPUR,KICKSTATER,31T (Ref # 59051A) | 59051-1152 | 1 |
| NUT,12MM (Ref # 92015) | 92015-1001 | 1 |
| WASHER,15.2X20X1 (Ref # 92022) | 92022-1019 | 1 |
| WASHER,15.3X25X0.5 (Ref # 92022A) | 92022-1045 | 2 |
| WASHER,12.3X20X0.5 (Ref # 92022B) | 92022-269 | 1 |
| WASHER,18.3X22X0.5 (Ref # 92022C) | 92022-271 | 3 |
| WASHER,16.8X22X0.5 (Ref # 92022D) | 92022-315 | 1 |
| RING-O,10X1.5 (Ref # 92055) | 92055-061 | 2 |
| SPRING,KICK PEDAL (Ref # 92081) | 92081-020 | 1 |
| SPRING,RATCHET (Ref # 92081A) | 92081-122 | 1 |
| SPRING,KICKSTARTER (Ref # 92081B) | 92081-1926 | 1 |
| BOLT-UPSET (Ref # 112) | 112G0618 | 2 |
| SCREW-SET-SOCKET,8X8 (Ref # 290) | 290Q0808 | 1 |
| CIRCLIP-TYPE-C,15MM (Ref # 480) | 480J1500 | 1 |
| CIRCLIP-TYPE-C,16MM (Ref # 480A) | 480J1600 | 1 |
| CIRCLIP-TYPE-C,18MM (Ref # 480B) | 480J1800 | 1 |
| CIRCLIP-TYPE-E,10MM (Ref # 482) | 482L0100 | 1 |
| BALL-STEEL,1/4" (Ref # 600) | 600A0800 | 1 |