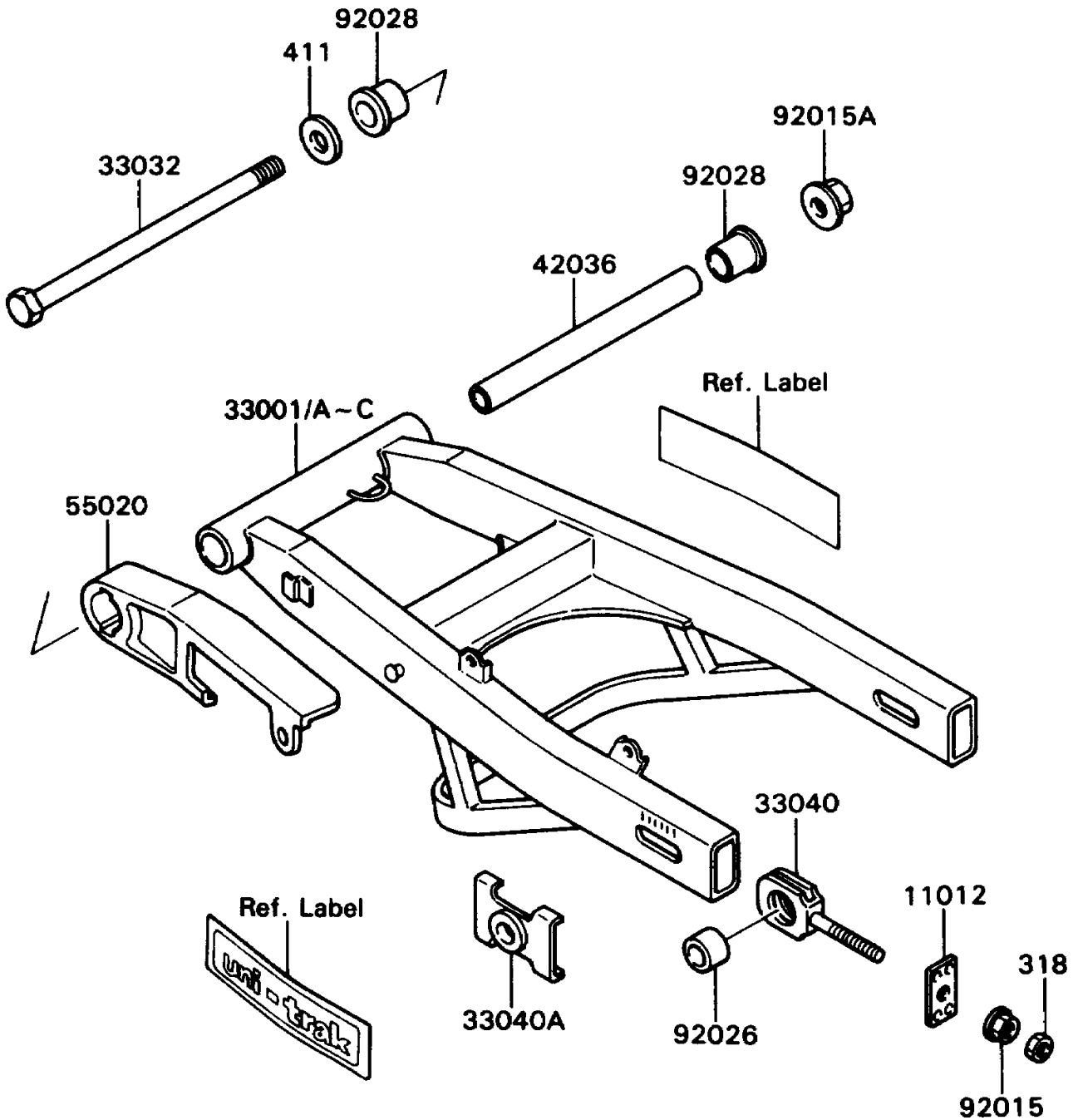


1990 KD80 PARTS DIAGRAM

Swingarm

F2141-0062



1990 KD80 PARTS LIST

Swingarm

ITEM NAME	PART NUMBER	QUANTITY
CAP,CHAIN ADJUSTER (Ref # 11012)	11012-1621	2
ARM-COMP-SWING,SILVER NO.25 (Ref # 33001B)	33001-1330-CE	1
SHAFT-SWING ARM (Ref # 33032)	33032-1143	1
ADJUSTER-CHAIN,INSIDE (Ref # 33040)	33040-1087	2
ADJUSTER-CHAIN,OUTSIDE (Ref # 33040A)	33040-1088	2
SLEEVE,12.1X17X183 (Ref # 42036)	42036-1239	1
GUARD (Ref # 55020)	55020-1299	1
NUT,8MM (Ref # 92015)	92015-1143	2
NUT,FLANGED,12MM,BLACK (Ref # 92015A)	92015-1249	1
SPACER,12.2X22X16.2 (Ref # 92026)	92026-1309	2
BUSHING,L=25 (Ref # 92028)	92028-1359	2
NUT-HEX-SMALL,8MM (Ref # 318)	318G0800	2
WASHER-PLAIN (Ref # 411)	411F1200	1