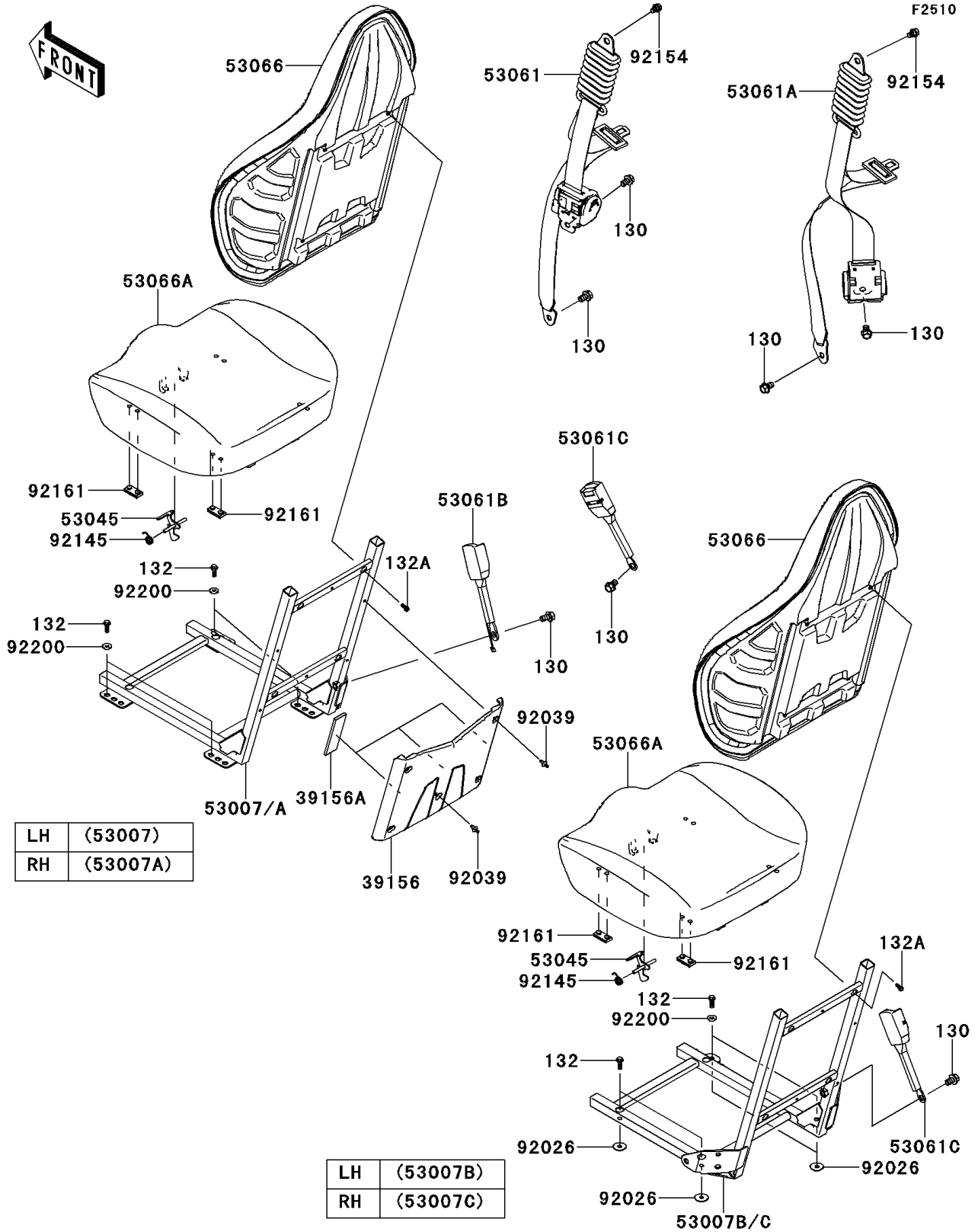


2014 TERYX4™ CAMO PARTS DIAGRAM

Seat



2014 TERYX4™ CAMO PARTS LIST

Seat

ITEM NAME	PART NUMBER	QUANTITY
BOLT-FLANGED,12X20 (Ref # 130)	130BA1220	1
BOLT-FLANGED-SMALL,8X22 (Ref # 132)	132BA0822	1
BOLT-FLANGED-SMALL,6X14 (Ref # 132A)	132BB0614	1
PAD,SEAT BACK (Ref # 39156)	39156-0805	1
PAD,FR SEAT BACK (Ref # 39156A)	39156-0929	1
FRAME-SEAT,FR,LH (Ref # 53007)	53007-0347	1
FRAME-SEAT,FR,RH (Ref # 53007A)	53007-0348	1
FRAME-SEAT,RR,LH (Ref # 53007B)	53007-0349	1
FRAME-SEAT,RR,RH (Ref # 53007C)	53007-0350	1
HOOK-ASSY (Ref # 53045)	53045-0019	1
BELT-SEAT,RETRACTOR,L=2950 (Ref # 53061)	53061-0016	1
BELT-SEAT,RETRACTOR,L=3100 (Ref # 53061A)	53061-0017	1
BELT-SEAT,BUCKLE,SW. (Ref # 53061B)	53061-0018	1
BELT-SEAT,BUCKLE (Ref # 53061C)	53061-0019	1
SEAT-ASSY,BACK,BLACK (Ref # 53066)	53066-0323-MA	1
SEAT-ASSY,BASE,BLACK (Ref # 53066A)	53066-0374-MA	1
SPACER,8.6X30X4.5 (Ref # 92026)	92026-0714	1
RIVET,FASTENER (Ref # 92039)	92039-0713	1
SPRING,SEAT LATCH (Ref # 92145)	92145-0022	1
BOLT,10X16 (Ref # 92154)	92154-1136	1
DAMPER,SEAT (Ref # 92161)	92161-1489	1
WASHER,8.2X20.0X2.5 (Ref # 92200)	92200-0205	1