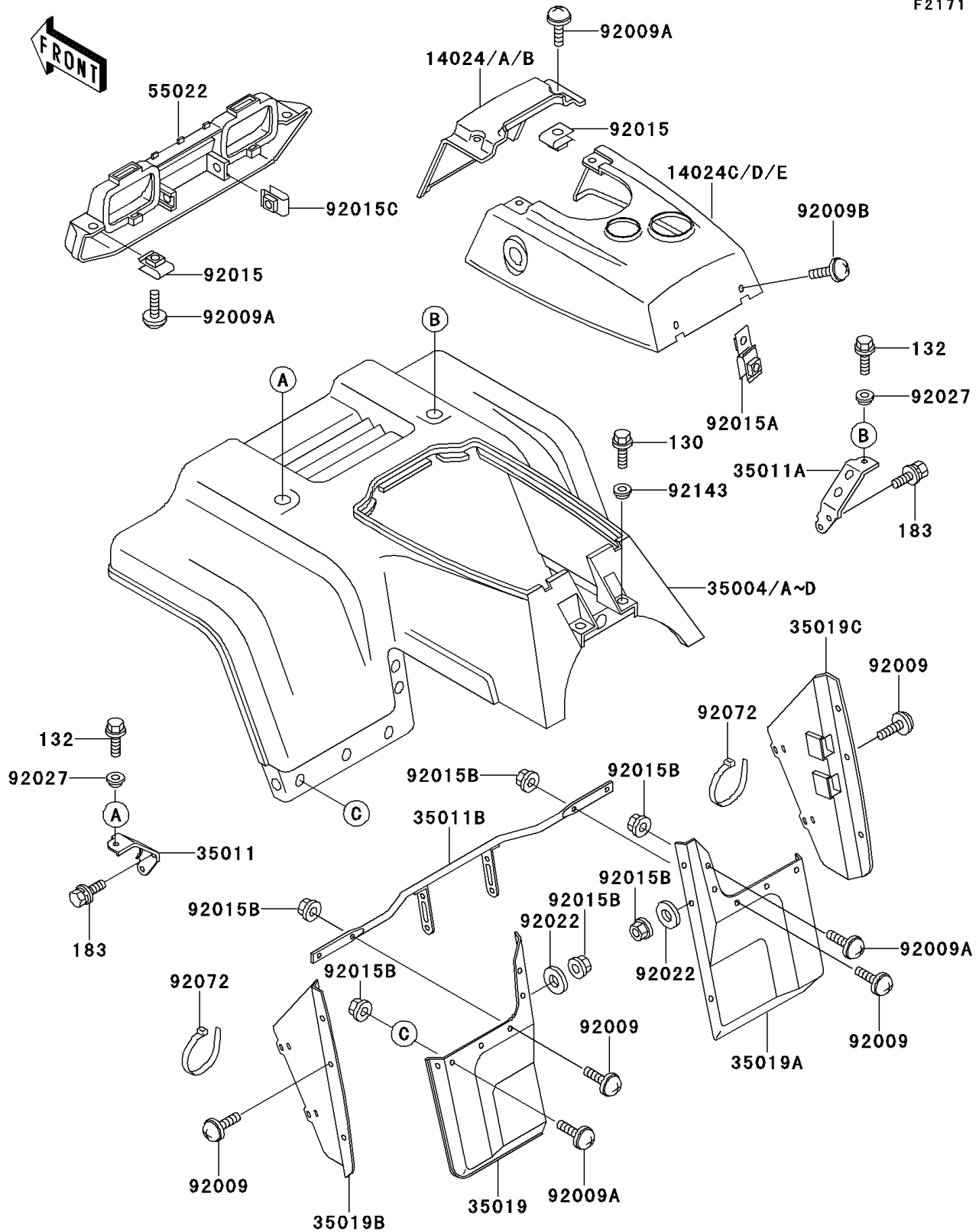


1992 Bayou 220 PARTS DIAGRAM

Front Fender(s)

F2171



1992 Bayou 220 PARTS LIST

Front Fender(s)

| ITEM NAME | PART NUMBER | QUANTITY |
|--|---------------|----------|
| BOLT-FLANGED,6X16 (Ref # 130) | 130C0616 | 1 |
| BOLT-FLANGED-SMALL (Ref # 132) | 132J0820 | 1 |
| BOLT-UPSET-WS-SMALL (Ref # 183) | 183J0814 | 1 |
| COVER,FRONT FENDER,FR,GRAY (Ref # 14024) | 14024-1475-RG | 1 |
| COVER,FRONT FENDER,FR,F.RED (Ref # 14024B) | 14024-1475-6L | 1 |
| COVER,FRONT FENDER,RR,GRAY (Ref # 14024C) | 14024-1476-RG | 1 |
| COVER,FRONT FENDER,RR,F.RED (Ref # 14024E) | 14024-1476-6L | 1 |
| FENDER-FRONT,M.B.GRAY (Ref # 35004A) | 35004-1207-RF | 1 |
| FENDER-FRONT,BLACK (Ref # 35004C) | 35004-1207-6D | 1 |
| STAY,FRONT FENDER,LH (Ref # 35011) | 35011-1361 | 1 |
| STAY,FRONT FENDER,RH (Ref # 35011A) | 35011-1362 | 1 |
| STAY,FRONT FLAP (Ref # 35011B) | 35011-1368 | 1 |
| FLAP,FR,LH (Ref # 35019) | 35019-1195 | 1 |
| FLAP,FR,RH (Ref # 35019A) | 35019-1196 | 1 |
| FLAP,FR,INSIDE,LH (Ref # 35019B) | 35019-1197 | 1 |
| FLAP,FR,INSIDE,RH (Ref # 35019C) | 35019-1198 | 1 |
| COVER-HEAD LAMP,BLACK (Ref # 55022) | 55022-1060-6D | 1 |
| SCREW,6X18,BLACK (Ref # 92009) | 92009-1181 | 1 |
| SCREW,6X14 (Ref # 92009A) | 92009-1288 | 1 |
| SCREW,6X10 (Ref # 92009B) | 92009-1402 | 1 |
| NUT,6MM (Ref # 92015) | 92015-1094 | 1 |
| NUT,PLATE (Ref # 92015A) | 92015-1667 | 1 |
| NUT,LOCK,FLANGED,6MM (Ref # 92015B) | 92015-1675 | 1 |
| NUT,CLIP,8MM (Ref # 92015C) | 92015-1691 | 1 |
| WASHER,6.5X20X1.6 (Ref # 92022) | 92022-1557 | 1 |
| COLLAR (Ref # 92027) | 92027-1908 | 1 |
| BAND,L=149 (Ref # 92072) | 92072-031 | 1 |
| COLLAR,L=6.5 (Ref # 92143) | 92143-1025 | 1 |