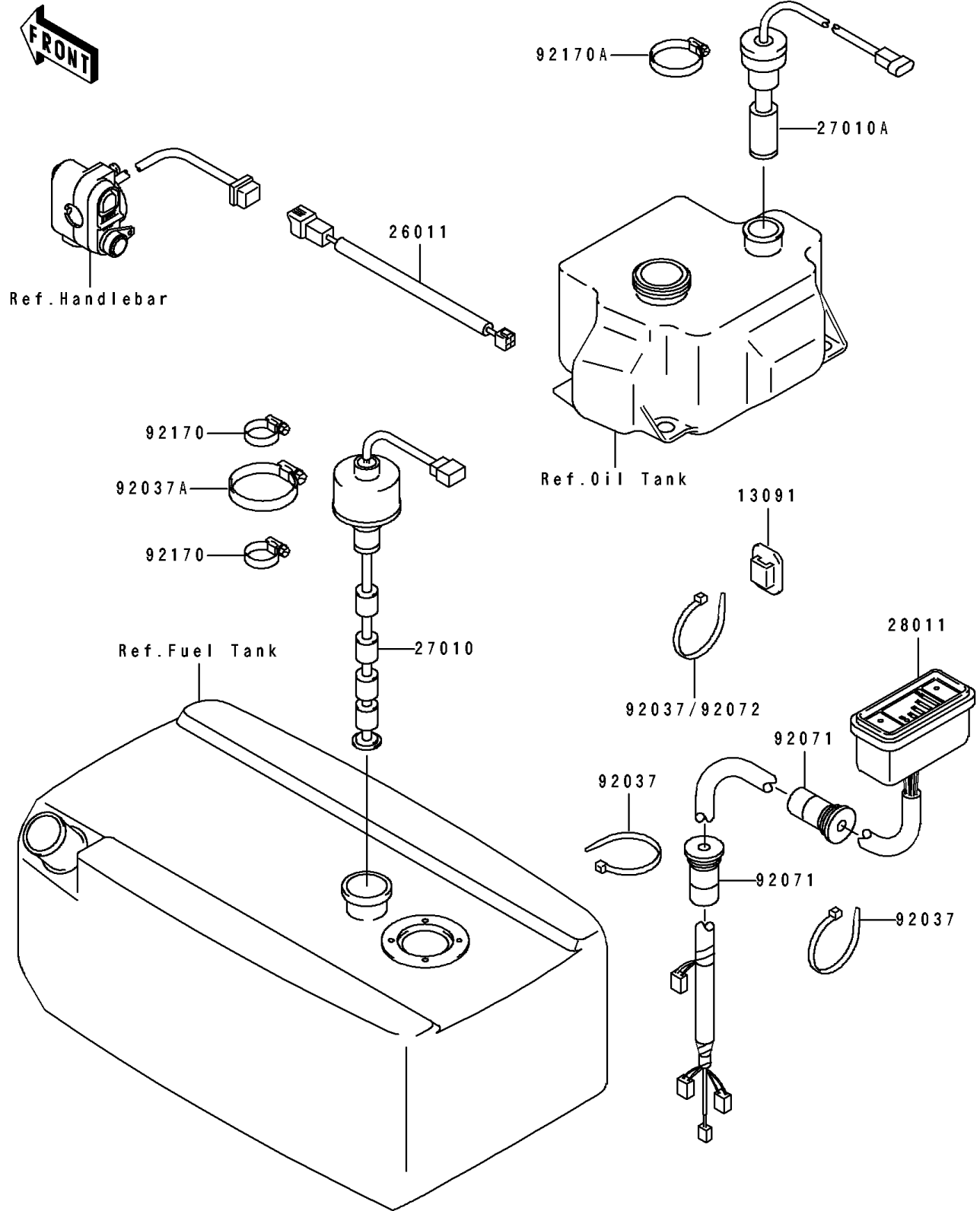


# 1994 ST PARTS DIAGRAM

Meters

F3179



# 1994 ST PARTS LIST

Meters

ITEM NAME	PART NUMBER	QUANTITY
HOLDER,BAND (Ref # 13091)	13091-3764	6
WIRE-LEAD,MAIN HARNESS (Ref # 26011)	26011-3801	1
SWITCH,FUEL LEVEL (Ref # 27010)	27010-3727	1
SWITCH,OIL LEVEL (Ref # 27010A)	27010-3729	1
METER,FUEL (Ref # 28011)	28011-3702	1
CLAMP (Ref # 92037)	92037-1173	4
CLAMP (Ref # 92037A)	92037-3009	1
GROMMET (Ref # 92071)	92071-3795	2
BAND (Ref # 92072)	92072-3778	5
CLAMP (Ref # 92170)	92170-3718	2
CLAMP (Ref # 92170A)	92170-3734	1