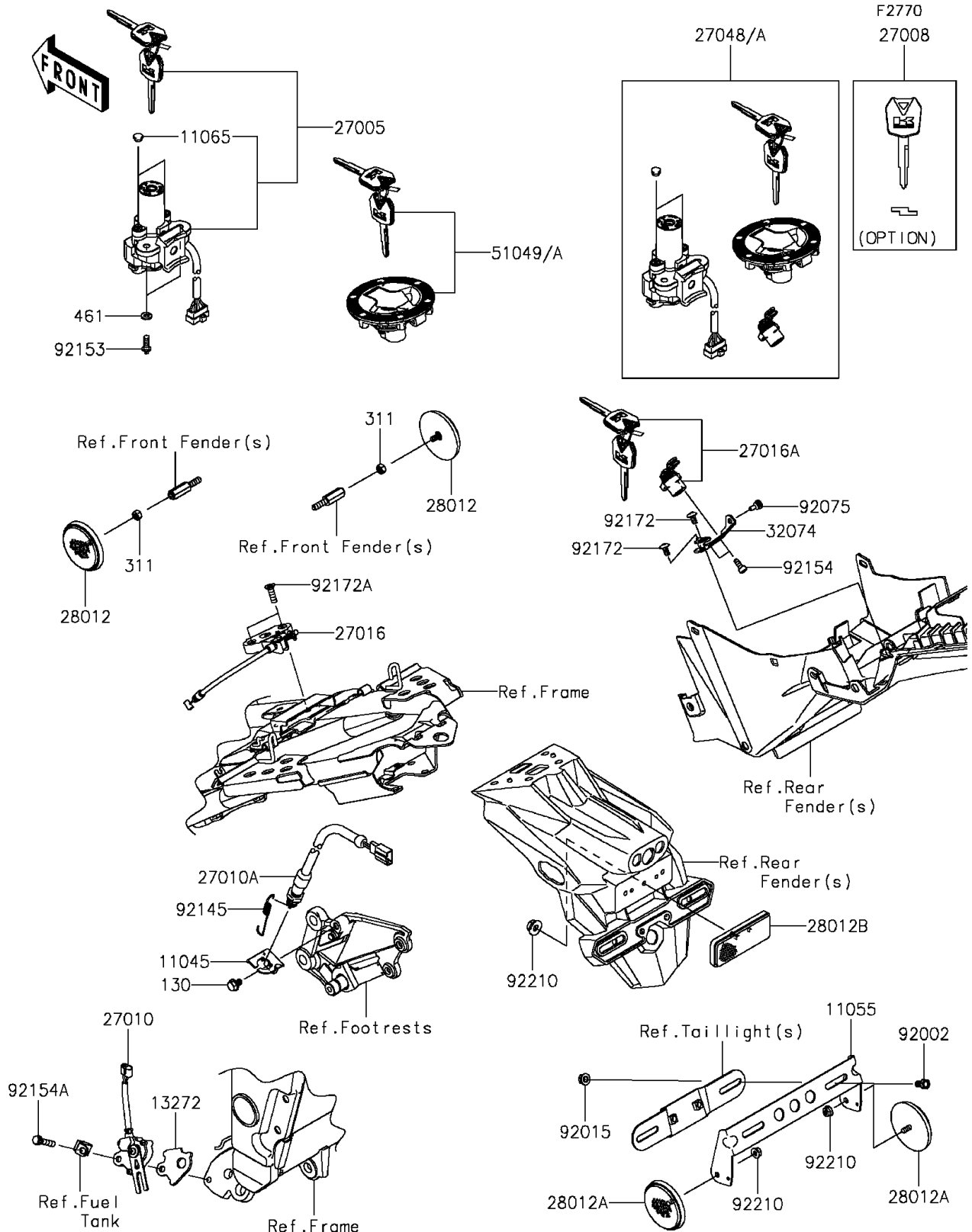


2015 Ninja® 300 ABS SE PARTS DIAGRAM

Ignition Switch/Locks/Reflectors



2015 Ninja® 300 ABS SE PARTS LIST

Ignition Switch/Locks/Reflectors

ITEM NAME	PART NUMBER	QUANTITY
BOLT-FLANGED,6X10 (Ref # 130)	130BA0610	1
NUT-HEX,5MM (Ref # 311)	311AB0500	1
WASHER-SPRING,6MM (Ref # 461)	461DA0600	1
BRACKET,REAR BRAKE SWITCH (Ref # 11045)	11045-1641	1
BRACKET,REFLECTOR (Ref # 11055)	11055-1092	1
CAP,IGNITION SWITCH (Ref # 11065)	11065-0708	1
PLATE (Ref # 13272)	13272-1330	1
SWITCH-ASSY-IGNITION (Ref # 27005)	27005-5144	1
KEY-LOCK,BLANK (Ref # 27008)	27008-0053	1
SWITCH,SIDE STAND (Ref # 27010)	27010-0097	1
SWITCH,REAR BRAKE (Ref # 27010A)	27010-0726	1
LOCK-ASSY,SEAT STRIKER (Ref # 27016)	27016-0075	1
LOCK-ASSY (Ref # 27016A)	27016-5378	1
REFLECTOR-REFLEX,FR,SIDE (Ref # 28012)	28012-0001	1
REFLECTOR-REFLEX (Ref # 28012A)	28012-0002	1
REFLECTOR-REFLEX (Ref # 28012B)	28012-1077	1
BRACKET-LOCK (Ref # 32074)	32074-0018	1
BOLT,6X12 (Ref # 92002)	92002-1132	1
NUT,FLANGED,6MM (Ref # 92015)	92015-1367	1
DAMPER (Ref # 92075)	92075-1808	1
SPRING,BRAKE LAMP SWITCH (Ref # 92145)	92145-0683	1
BOLT,TORX,6X16 (Ref # 92153)	92153-0967	1
BOLT,SOCKET,5X12 (Ref # 92154)	92154-0933	1
BOLT,FLANGED,6X30 (Ref # 92154A)	92154-1040	1
SCREW,TAPPING,5X10 (Ref # 92172)	92172-0262	1
SCREW,6X20 (Ref # 92172A)	92172-0786	1
NUT,FLANGED,5MM (Ref # 92210)	92210-0007	1
SWITCH-ASSY (Ref # 27048)	27048-5075	1
SWITCH-ASSY (Ref # 27048A)	27048-5077	1

2015 Ninja® 300 ABS SE PARTS LIST

Ignition Switch/Locks/Reflectors

ITEM NAME	PART NUMBER	QUANTITY
CAP-TANK,FUEL (Ref # 51049)	51049-5009	1
CAP-TANK,FUEL (Ref # 51049A)	51049-5011	1