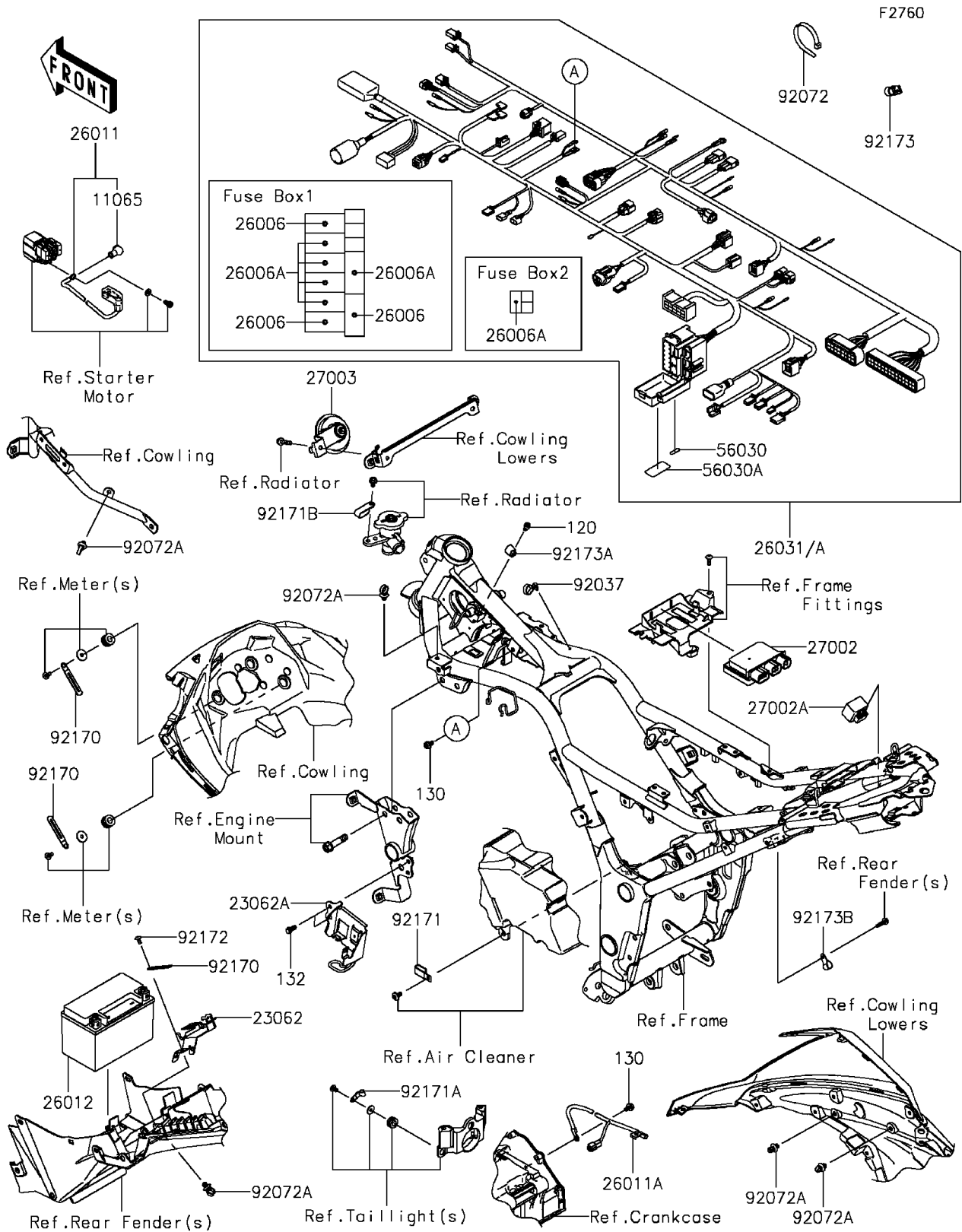


## 2015 Ninja® 300 SE PARTS DIAGRAM

Chassis Electrical Equipment



## 2015 Ninja® 300 SE PARTS LIST

Chassis Electrical Equipment

ITEM NAME	PART NUMBER	QUANTITY
BOLT-SOCKET,6X10 (Ref # 120)	120CA0610	1
BOLT-FLANGED,6X10 (Ref # 130)	130BB0610	1
BOLT-FLANGED-SMALL,6X14 (Ref # 132)	132BA0614	1
CAP (Ref # 11065)	11065-0213	1
BRACKET-COMP (Ref # 23062)	23062-0739	1
BRACKET-COMP (Ref # 23062A)	23062-0781	1
FUSE,MINI BLADE,15A,BLUE (Ref # 26006)	26006-0001	1
FUSE,MINI BLADE,10A,RED (Ref # 26006A)	26006-1078	1
WIRE-LEAD,BATTERY(+) (Ref # 26011)	26011-0798	1
WIRE-LEAD,BATTERY(-) (Ref # 26011A)	26011-0803	1
BATTERY,FTX9-BS,12V 8AH (Ref # 26012)	26012-0608	1
RELAY-ASSY (Ref # 27002)	27002-0007	1
RELAY-ASSY (Ref # 27002A)	27002-0059	1
HORN (Ref # 27003)	27003-0085	1
LABEL,FUSE BOX2 (Ref # 56030)	56030-0706	1
LABEL,FUSE BOX1 (Ref # 56030A)	56030-0779	1
CLAMP,SPEED,L=58 (Ref # 92037)	92037-1163	1
BAND,L=202 (Ref # 92072)	92072-1195	1
BAND (Ref # 92072A)	92072-1414	1
CLAMP (Ref # 92170)	92170-1514	1
CLAMP (Ref # 92171)	92171-0305	1
CLAMP (Ref # 92171A)	92171-1539	1
CLAMP (Ref # 92171B)	92171-1597	1
SCREW,TAPPING,5X10 (Ref # 92172)	92172-0262	1
CLAMP (Ref # 92173)	92173-0907	1
CLAMP (Ref # 92173A)	92173-0978	1
CLAMP (Ref # 92173B)	92173-1161	1
HARNESS,MAIN (Ref # 26031)	26031-1791	1
HARNESS,MAIN (Ref # 26031A)	26031-1792	1