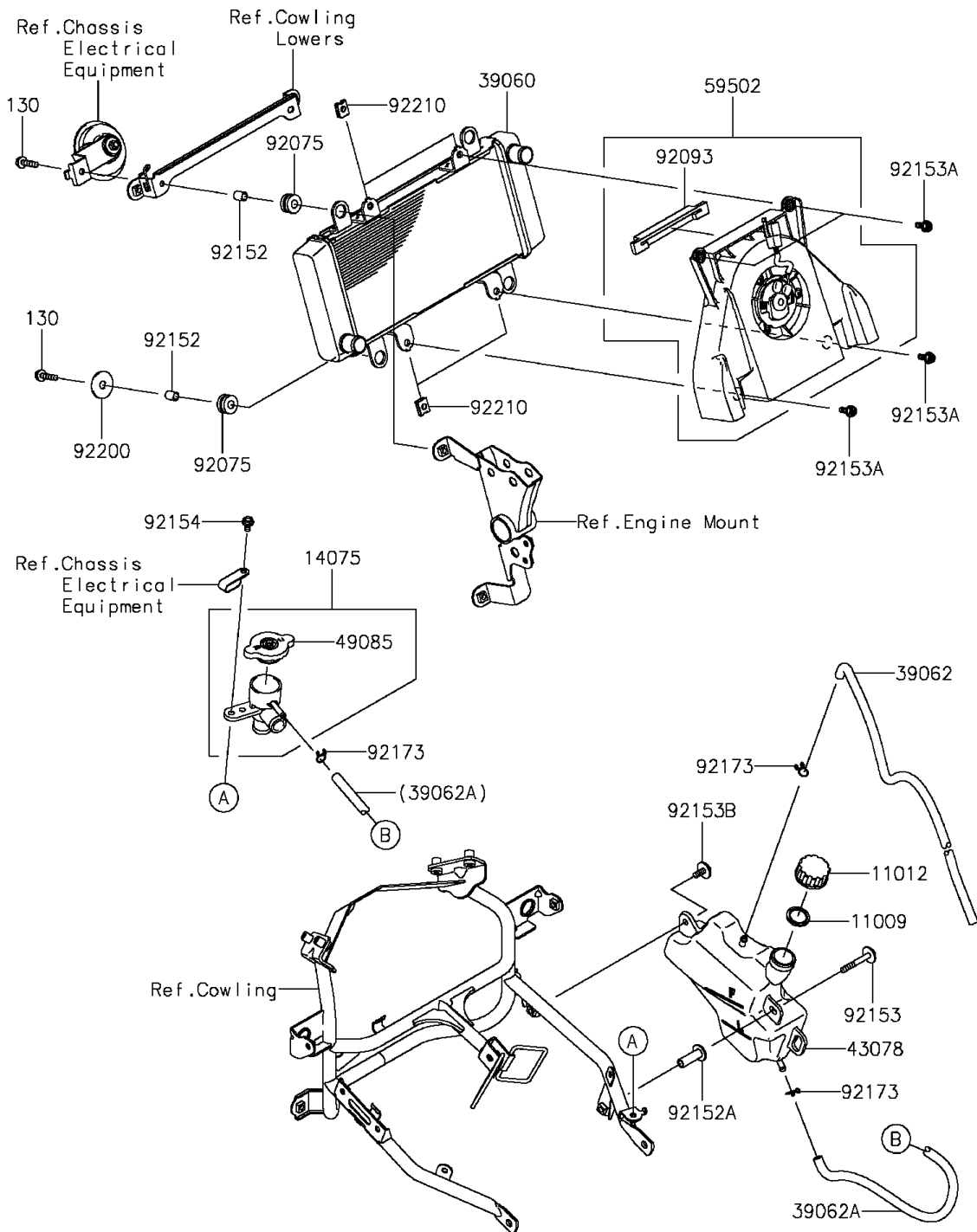


2015 Ninja® 300 SE PARTS DIAGRAM

Radiator

E3032



2015 Ninja® 300 SE PARTS LIST

Radiator

| ITEM NAME | PART NUMBER | QUANTITY |
|---|-------------|----------|
| BOLT-FLANGED,6X25 (Ref # 130) | 130BA0625 | 1 |
| GASKET,RESERVOIR TANK CAP (Ref # 11009) | 11009-1145 | 1 |
| CAP (Ref # 11012) | 11012-1084 | 1 |
| CAP-ASSY,RADIATOR (Ref # 14075) | 14075-1061 | 1 |
| RADIATOR (Ref # 39060) | 39060-0710 | 1 |
| HOSE-COOLING,OVERFLOW (Ref # 39062) | 39062-0335 | 1 |
| HOSE-COOLING,RESERVOIR (Ref # 39062A) | 39062-0629 | 1 |
| RESERVOIR (Ref # 43078) | 43078-0558 | 1 |
| CAP-ASSY-PRESSURE (Ref # 49085) | 49085-1066 | 1 |
| FAN-ASSY (Ref # 59502) | 59502-0050 | 1 |
| DAMPER (Ref # 92075) | 92075-1690 | 1 |
| SEAL (Ref # 92093) | 92093-0587 | 1 |
| COLLAR,6.8X10X13 (Ref # 92152) | 92152-0846 | 1 |
| COLLAR,L=29 (Ref # 92152A) | 92152-1591 | 1 |
| BOLT,6X45 (Ref # 92153) | 92153-0003 | 1 |
| BOLT (Ref # 92153A) | 92153-0531 | 1 |
| BOLT,FLANGED-SMALL,6X16 (Ref # 92153B) | 92153-1798 | 1 |
| BOLT,UPSET-WP,6X16 (Ref # 92154) | 92154-0961 | 1 |
| CLAMP (Ref # 92173) | 92173-0050 | 1 |
| WASHER,6.5X24X1.6 (Ref # 92200) | 92200-0789 | 1 |
| NUT (Ref # 92210) | 92210-1323 | 1 |