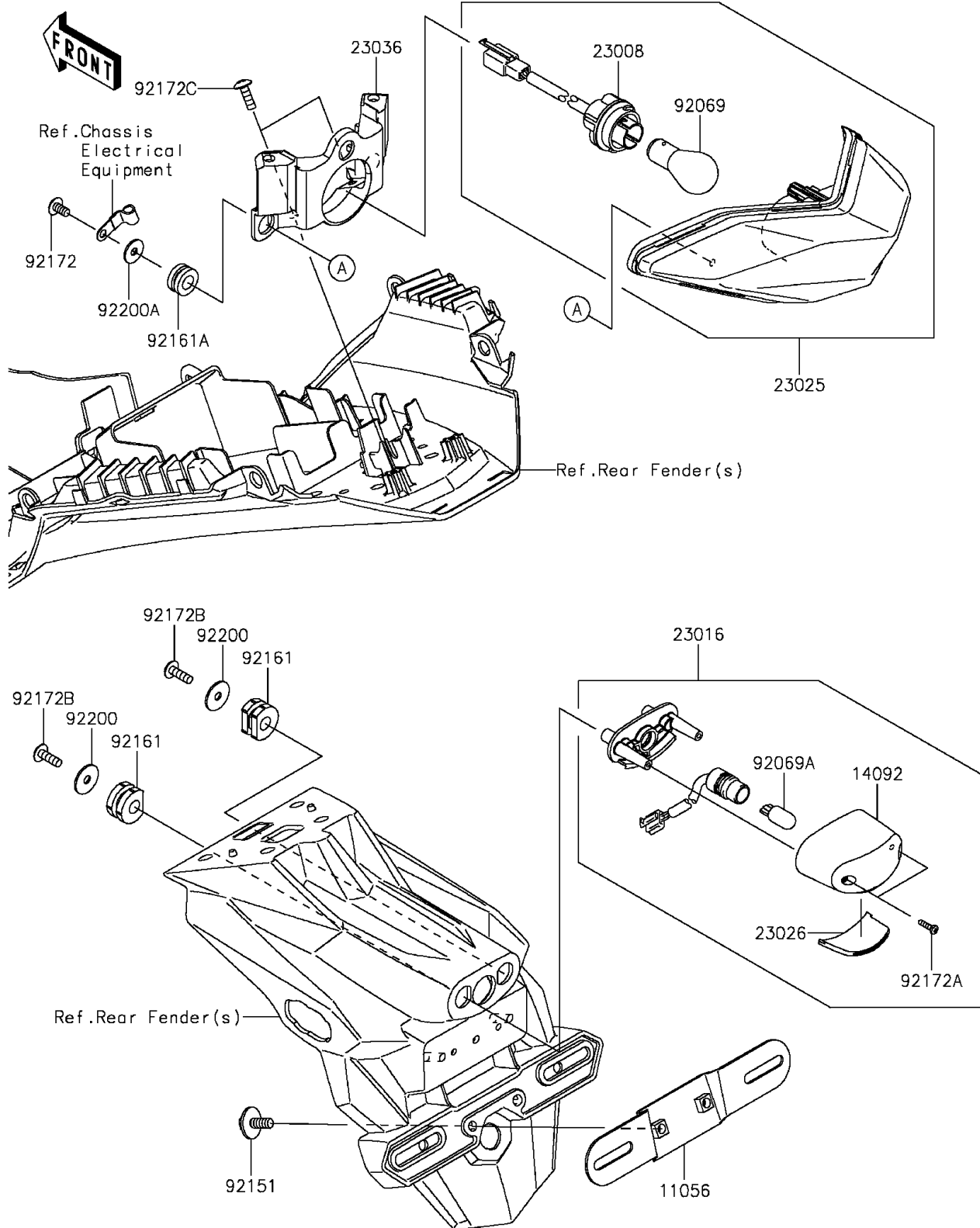


## 2015 NINJA® 300 SE PARTS DIAGRAM

Taillight(s)

F2720



## 2015 NINJA® 300 SE PARTS LIST

Taillight(s)

ITEM NAME	PART NUMBER	QUANTITY
BRACKET,LICENSE PLATE (Ref # 11056)	11056-0139	1
COVER,LICENSE LAMP (Ref # 14092)	14092-0001	1
SOCKET-ASSY (Ref # 23008)	23008-0138	1
LAMP-ASSY,LICENSE (Ref # 23016)	23016-0557	1
LAMP-TAIL (Ref # 23025)	23025-0326	1
LENS,LICENSE LAMP (Ref # 23026)	23026-0015	1
BRACKET-TAIL LAMP (Ref # 23036)	23036-0304	1
BULB,12V 21/5W (Ref # 92069)	92069-063	1
BULB,12V 5W (Ref # 92069A)	92069-1016	1
BOLT,6X25 (Ref # 92151)	92151-1241	1
DAMPER (Ref # 92161)	92161-0776	1
DAMPER (Ref # 92161A)	92161-1462	1
SCREW,TAPPING,5X10 (Ref # 92172)	92172-0262	1
SCREW,TAPPING,2.9X13 (Ref # 92172A)	92172-0343	1
SCREW,TAPPING,5X16 (Ref # 92172B)	92172-0427	1
SCREW,TAPPING,5X16 (Ref # 92172C)	92172-0742	1
WASHER,5.5X20X1.2 (Ref # 92200)	92200-0284	1
WASHER,5.2X16X1.2 (Ref # 92200A)	92200-0583	1