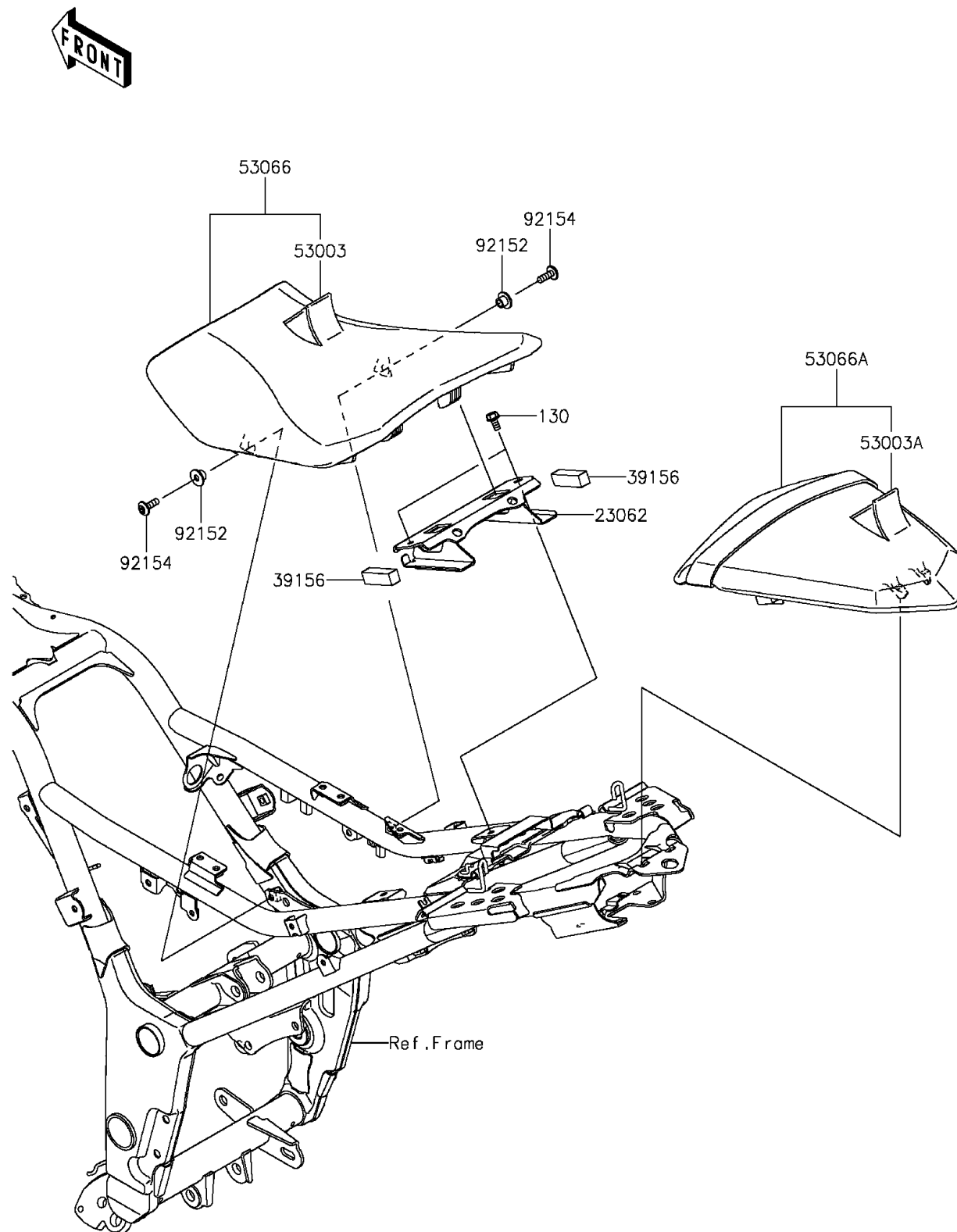


2015 NINJA® 300 SE PARTS DIAGRAM

Seat

F2510



2015 NINJA® 300 SE PARTS LIST

Seat

ITEM NAME	PART NUMBER	QUANTITY
BOLT-FLANGED,6X12 (Ref # 130)	130BA0612	1
BRACKET-COMP,SEAT (Ref # 23062)	23062-0782	1
PAD,13X43X12 (Ref # 39156)	39156-0978	1
LEATHER,FR,BLACK (Ref # 53003)	53003-0326-MA	1
LEATHER,RR,BLACK (Ref # 53003A)	53003-0327-MA	1
SEAT-ASSY,FR,BLACK (Ref # 53066)	53066-0392-MA	1
SEAT,RR,LEATHER BLK+BAND BLK (Ref # 53066A)	53066-0393-12Y	1
COLLAR (Ref # 92152)	92152-0295	1
BOLT,SOCKET,6X18 (Ref # 92154)	92154-1026	1