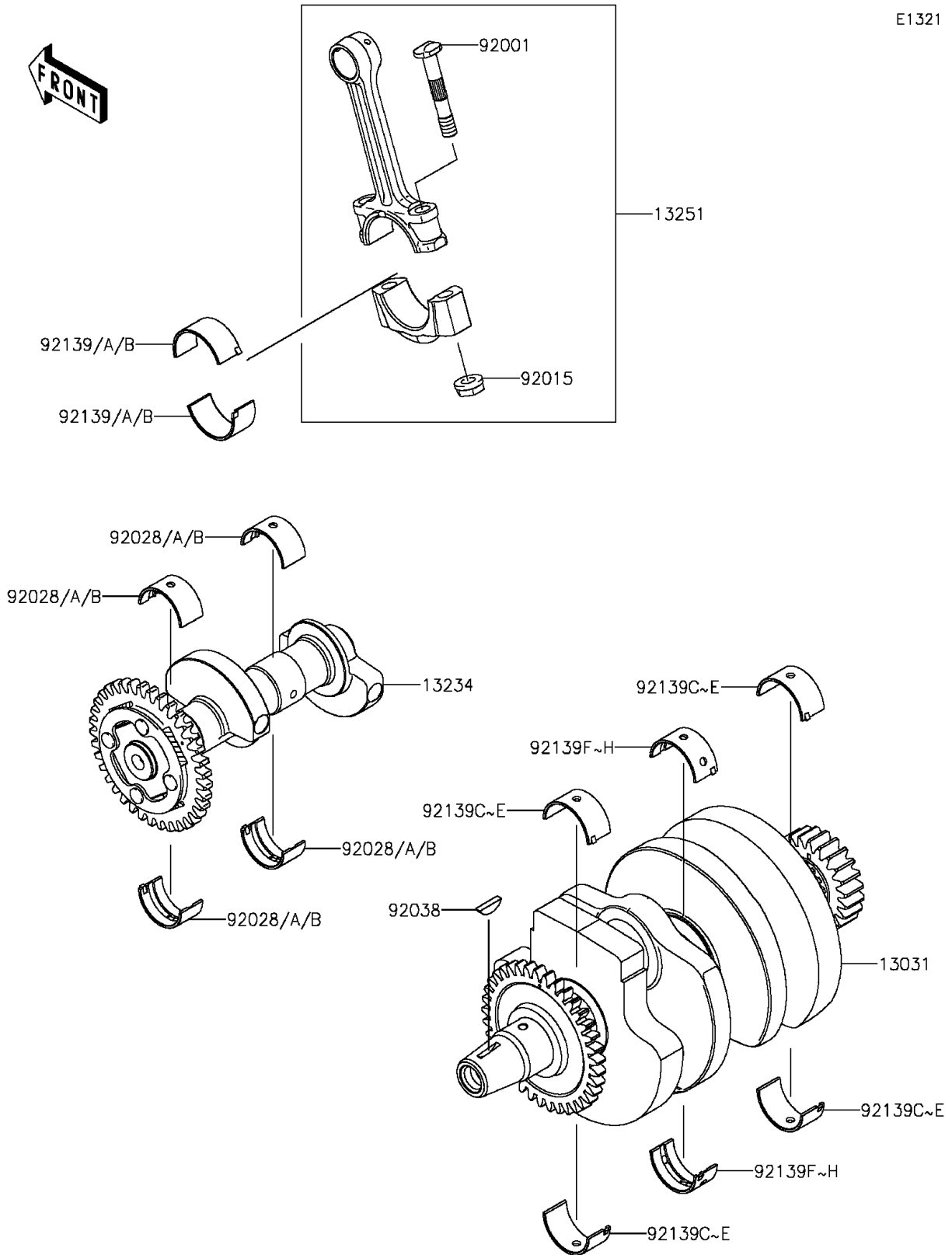


2015 NINJA® 300 SE PARTS DIAGRAM

Crankshaft

E1321



2015 NINJA® 300 SE PARTS LIST

Crankshaft

| ITEM NAME | PART NUMBER | QUANTITY |
|---|---------------|----------|
| CRANKSHAFT-COMP,B MK,RED (Ref # 13031) | 13031-0770 | 1 |
| SHAFT-COMP,BALANCER (Ref # 13234) | 13234-0591 | 1 |
| ROD-ASSY-CONNECTING,I (Ref # 13251) | 13251-0037-II | 1 |
| BOLT,CONNECTING ROD,7MM (Ref # 92001) | 92001-1793 | 1 |
| NUT,CONNECTING ROD,7MM (Ref # 92015) | 92015-1527 | 1 |
| BUSHING,BALANCER,BLUE (Ref # 92028) | 92028-1422 | 1 |
| BUSHING,BALANCER,BLACK (Ref # 92028A) | 92028-1423 | 1 |
| BUSHING,BALANCER,BROWN (Ref # 92028B) | 92028-1424 | 1 |
| KEY,WOODRUFF (Ref # 92038) | 92038-001 | 1 |
| BUSHING,CONNECTING ROD,BLUE (Ref # 92139) | 92139-0782 | 1 |
| BUSHING,CONNECTING ROD,BLACK (Ref # 92139A) | 92139-0783 | 1 |
| BUSHING,CONNECTING ROD,BROWN (Ref # 92139B) | 92139-0784 | 1 |
| BUSHING,CRANK #1,BLUE (Ref # 92139C) | 92139-0786 | 1 |
| BUSHING,CRANK #1,BLACK (Ref # 92139D) | 92139-0787 | 1 |
| BUSHING,CRANK #1,YELLOW (Ref # 92139E) | 92139-0788 | 1 |
| BUSHING,CRANK #2,BLUE (Ref # 92139F) | 92139-0790 | 1 |
| BUSHING,CRANK #2,BLACK (Ref # 92139G) | 92139-0791 | 1 |
| BUSHING,CRANK #2,YELLOW (Ref # 92139H) | 92139-0792 | 1 |