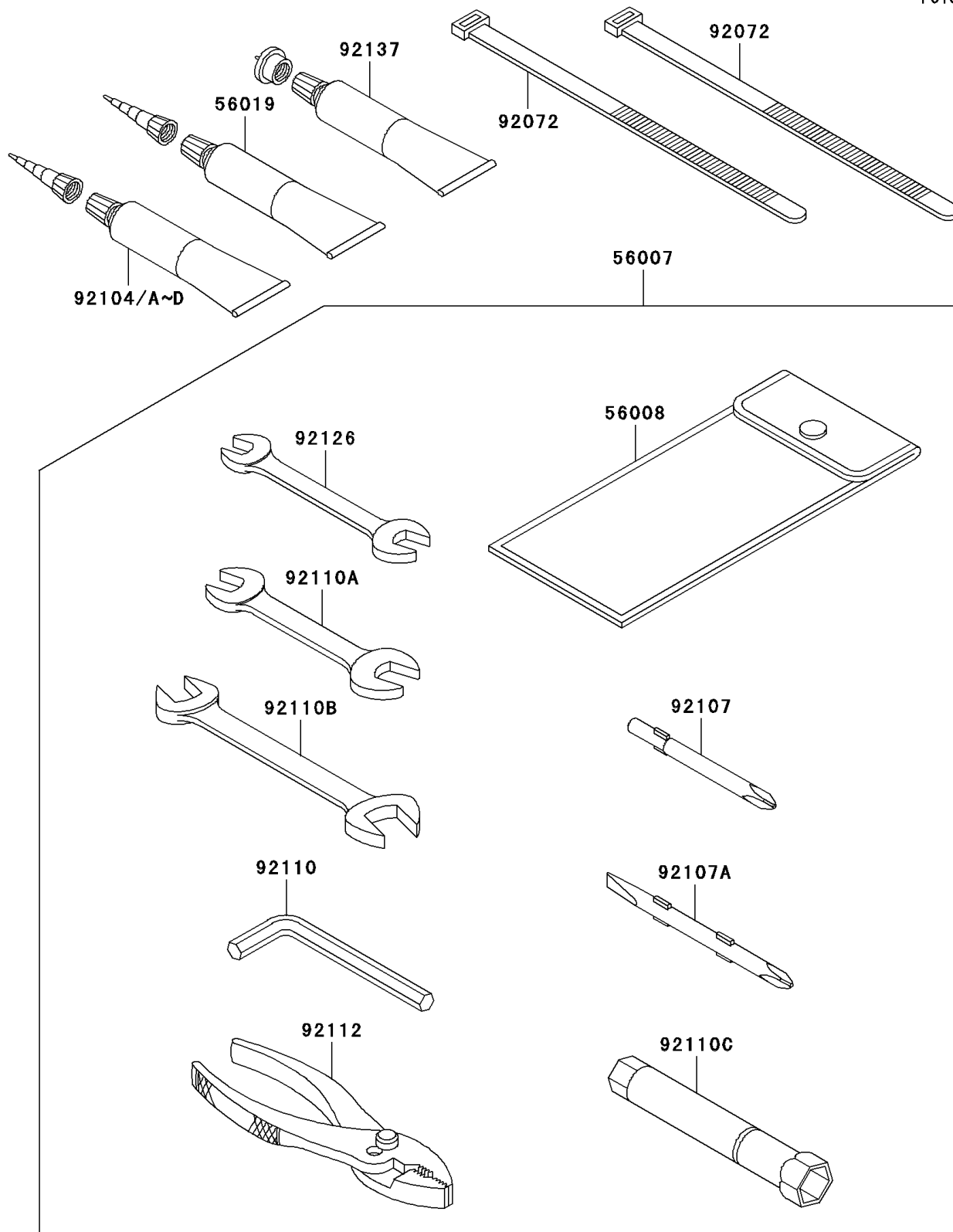


## 2011 Ultra 300X PARTS DIAGRAM

Owner's Tools

F3182



## 2011 Ultra 300X PARTS LIST

Owner's Tools

| ITEM NAME                                  | PART NUMBER | QUANTITY |
|--|-------------|----------|
| TOOL-KIT (Ref # 56007)                     | 56007-3720  | 1        |
| BAG,TOOL (Ref # 56008)                     | 56008-3706  | 1        |
| GASKET-LIQUID,TB1211,WHITE (Ref # 56019)   | 56019-120   | 1        |
| BAND,L=250 (Ref # 92072)                   | 92072-1237  | 1        |
| GASKET-LIQUID,TB1211F,CLEAR (Ref # 92104)  | 92104-0004  | 1        |
| GASKET-LIQUID,TB1216,GRAY (Ref # 92104A)   | 92104-1063  | 1        |
| GASKET-LIQUID,TB1216B,BLACK (Ref # 92104B) | 92104-1064  | 1        |
| GASKET-LIQUID,TB1215,GRAY (Ref # 92104C)   | 92104-1065  | 1        |
| GASKET-LIQUID,TB1521,BROWN (Ref # 92104D)  | 92104-3701  | 1        |
| TOOL-DRIVER,#3PHILLIPS (Ref # 92107)       | 92107-005   | 1        |
| TOOL-DRIVER,#2PHILLIPS&SLOT (Ref # 92107A) | 92107-1051  | 1        |
| TOOL-WRENCH,ALLEN,5MM (Ref # 92110)        | 92110-1015  | 1        |
| TOOL-WRENCH,OPEN END,10X12 (Ref # 92110A)  | 92110-1152  | 1        |
| TOOL-WRENCH,OPEN END,14X17 (Ref # 92110B)  | 92110-1153  | 1        |
| TOOL-WRENCH,BOX,16MM (Ref # 92110C)        | 92110-3706  | 1        |
| TOOL-PLIERS (Ref # 92112)                  | 92112-1001  | 1        |
| TOOL-WRENCH,OPEN END,8X10 (Ref # 92126)    | 92126-004   | 1        |
| GREASE (Ref # 92137)                       | 92137-1002  | 1        |