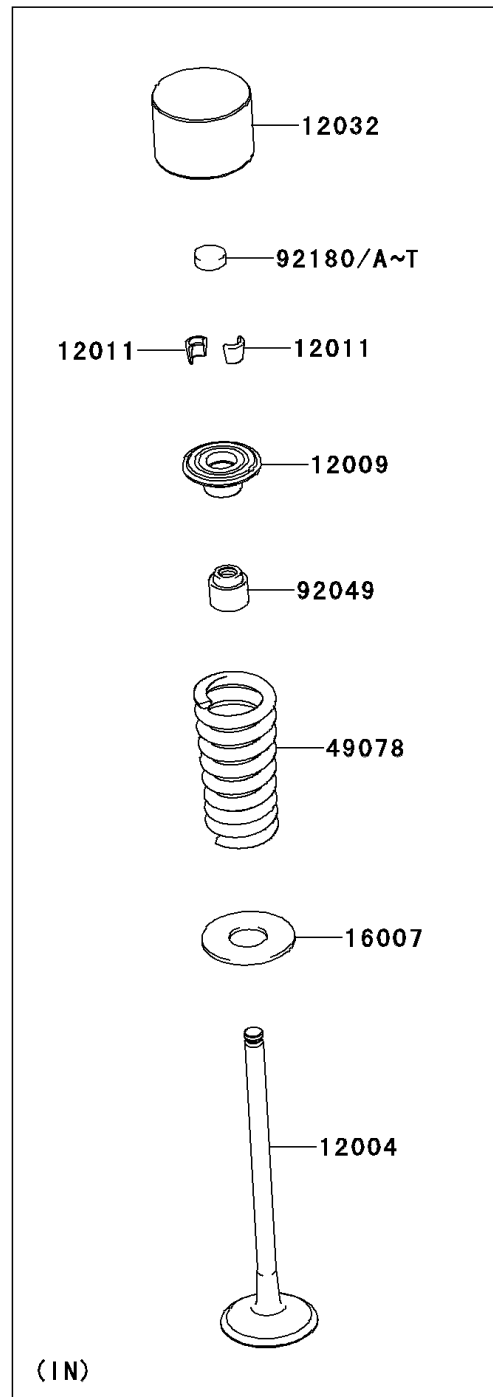
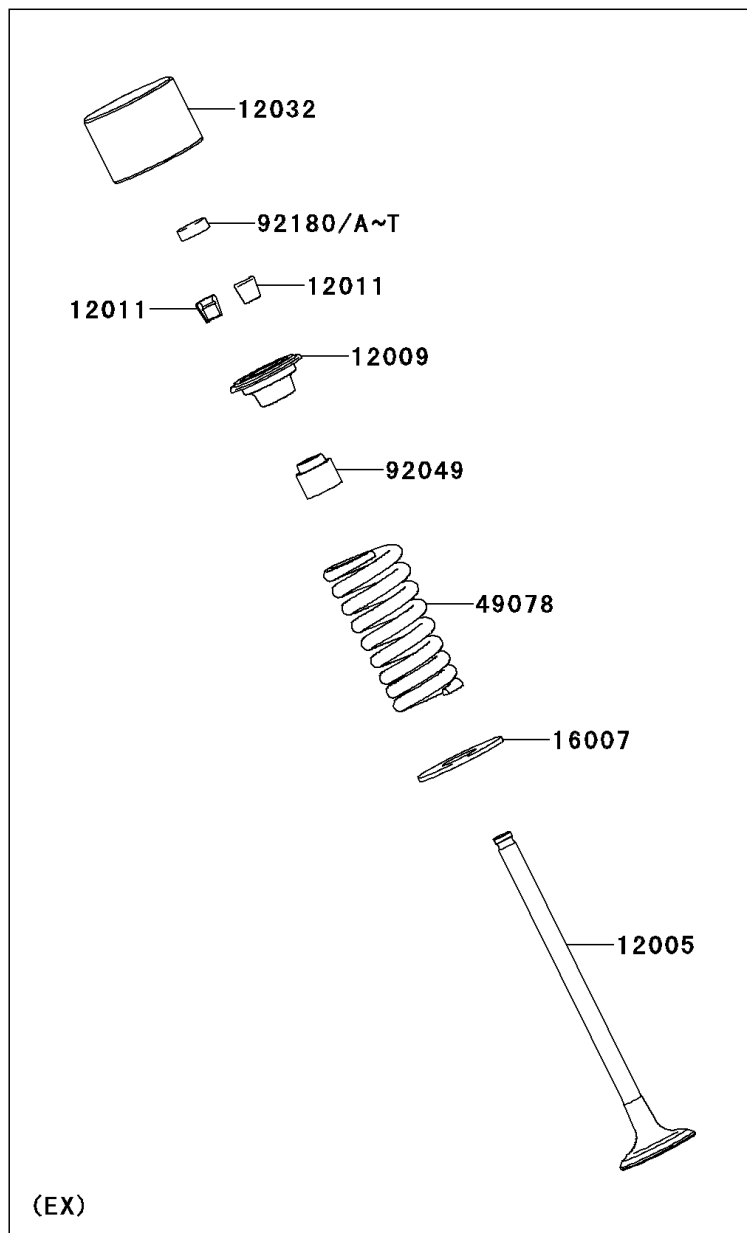


## 2014 Ninja® 300 SE PARTS DIAGRAM

Valve(s)

E1210



## 2014 Ninja® 300 SE PARTS LIST

Valve(s)

| ITEM NAME                                  | PART NUMBER | QUANTITY |
|--|-------------|----------|
| VALVE-INTAKE (Ref # 12004)                 | 12004-0716  | 1        |
| VALVE-EXHAUST (Ref # 12005)                | 12005-0057  | 1        |
| RETAINER-VALVE SPRING (Ref # 12009)        | 12009-1073  | 1        |
| COLLET (Ref # 12011)                       | 12011-1053  | 1        |
| TAPPET (Ref # 12032)                       | 12032-0018  | 1        |
| SEAT-SPRING (Ref # 16007)                  | 16007-0028  | 1        |
| SPRING-ENGINE VALVE (Ref # 49078)          | 49078-0077  | 1        |
| SEAL-OIL,VSB 4.3 7.5 5.3 8.3 (Ref # 92049) | 92049-1349  | 1        |
| SHIM,T=2.50 (Ref # 92180)                  | 92180-1014  | 1        |
| SHIM,T=2.55 (Ref # 92180A)                 | 92180-1016  | 1        |
| SHIM,T=2.60 (Ref # 92180B)                 | 92180-1018  | 1        |
| SHIM,T=2.65 (Ref # 92180C)                 | 92180-1020  | 1        |
| SHIM,T=2.70 (Ref # 92180D)                 | 92180-1022  | 1        |
| SHIM,T=2.75 (Ref # 92180E)                 | 92180-1024  | 1        |
| SHIM,T=2.80 (Ref # 92180F)                 | 92180-1026  | 1        |
| SHIM,T=2.85 (Ref # 92180G)                 | 92180-1028  | 1        |
| SHIM,T=2.90 (Ref # 92180H)                 | 92180-1030  | 1        |
| SHIM,T=2.95 (Ref # 92180I)                 | 92180-1032  | 1        |
| SHIM,T=3.00 (Ref # 92180J)                 | 92180-1034  | 1        |
| SHIM,T=3.05 (Ref # 92180K)                 | 92180-1036  | 1        |
| SHIM,T=3.10 (Ref # 92180L)                 | 92180-1038  | 1        |
| SHIM,T=3.15 (Ref # 92180M)                 | 92180-1040  | 1        |
| SHIM,T=3.20 (Ref # 92180N)                 | 92180-1042  | 1        |
| SHIM,T=3.25 (Ref # 92180O)                 | 92180-1044  | 1        |
| SHIM,T=3.30 (Ref # 92180P)                 | 92180-1046  | 1        |
| SHIM,T=3.35 (Ref # 92180Q)                 | 92180-1048  | 1        |
| SHIM,T=3.40 (Ref # 92180R)                 | 92180-1050  | 1        |
| SHIM,T=3.45 (Ref # 92180S)                 | 92180-1052  | 1        |
| SHIM,T=3.50 (Ref # 92180T)                 | 92180-1054  | 1        |