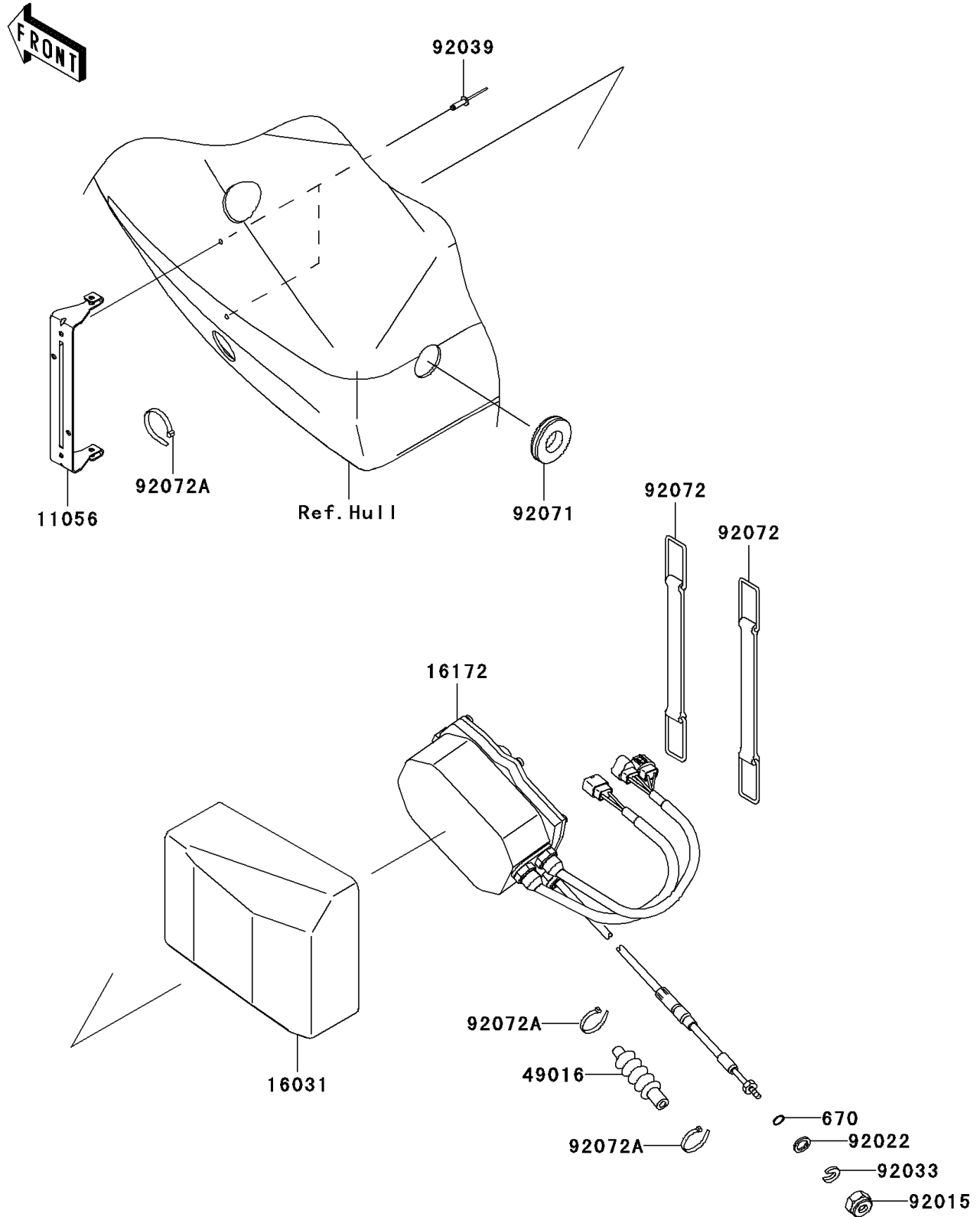


## 2011 Ultra 300X PARTS DIAGRAM

Control

F3177



## 2011 Ultra 300X PARTS LIST

### Control

| ITEM NAME                            | PART NUMBER | QUANTITY |
|--------------------------------------|-------------|----------|
| O RING,11MM (Ref # 670)              | 670B2011    | 1        |
| BRACKET (Ref # 11056)                | 11056-0711  | 1        |
| FLOAT (Ref # 16031)                  | 16031-3993  | 1        |
| ACTUATOR,JET PUMP (Ref # 16172)      | 16172-3707  | 1        |
| COVER-SEAL,TILT CABLE (Ref # 49016)  | 49016-3702  | 1        |
| NUT,20MM (Ref # 92015)               | 92015-526   | 1        |
| WASHER (Ref # 92022)                 | 92022-535   | 1        |
| RING-SNAP,7.7X17.5X3.0 (Ref # 92033) | 92033-3737  | 1        |
| RIVET (Ref # 92039)                  | 92039-3714  | 1        |
| GROMMET (Ref # 92071)                | 92071-3840  | 1        |
| BAND,BATTERY (Ref # 92072)           | 92072-3841  | 1        |
| BAND,L=100.08 (Ref # 92072A)         | 92072-3882  | 1        |