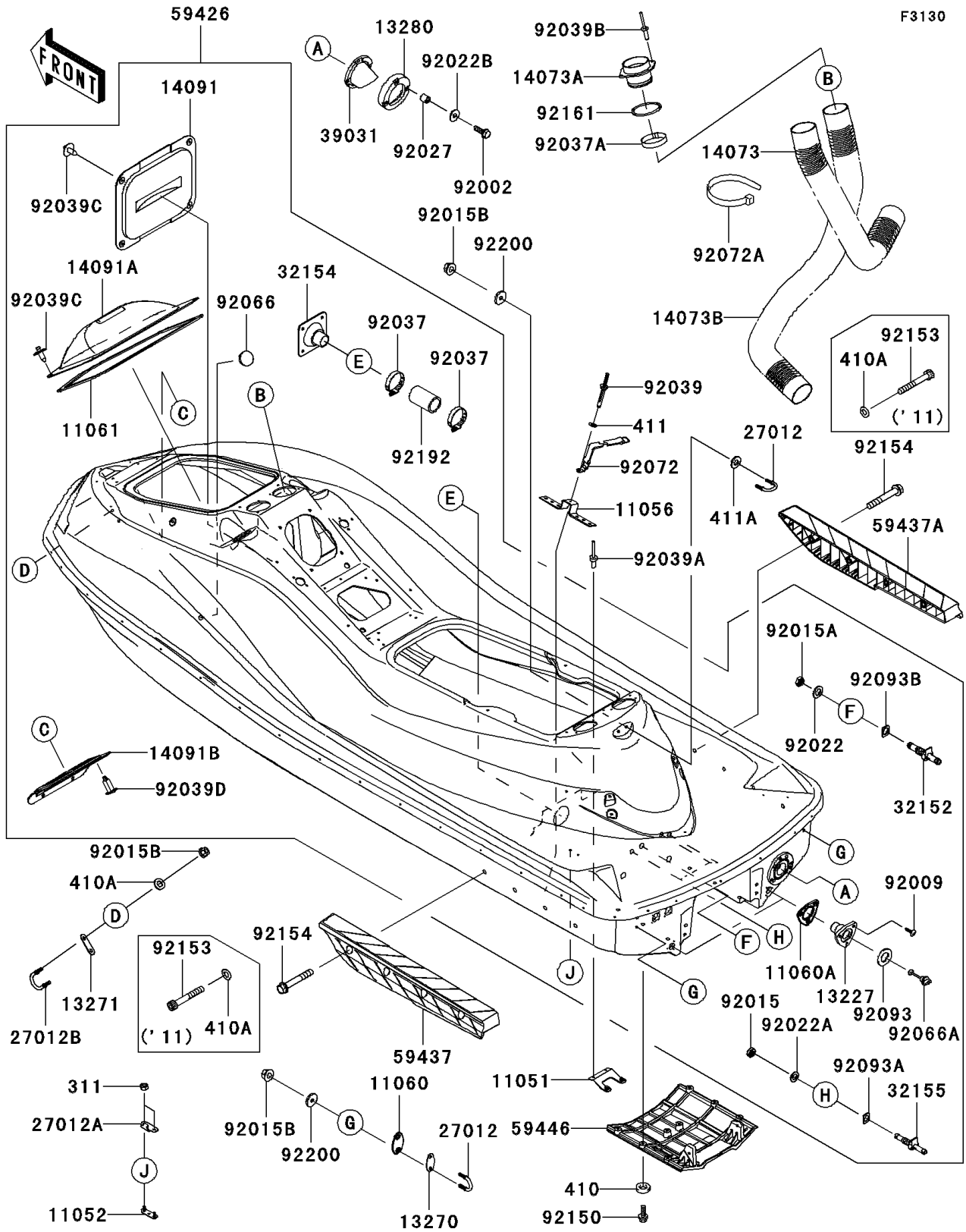


## 2011 Ultra 300X PARTS DIAGRAM

Hull



## 2011 Ultra 300X PARTS LIST

Hull

ITEM NAME	PART NUMBER	QUANTITY
BRACKET,BREATHER-BILGE (Ref # 11051)	11051-3802	1
BRACKET,RR DUCT (Ref # 11052)	11052-3712	1
BRACKET,WATER MUFFLER (Ref # 11056)	11056-3722	1
GASKET,U HOOK,RR (Ref # 11060)	11060-3800	1
GASKET,DRAIN PLUG (Ref # 11060A)	11060-3801	1
GASKET,BATTERY COVER (Ref # 11061)	11061-3754	1
HOUSING,DRAIN PLUG,F.BLACK (Ref # 13227)	13227-3721-6Z	1
PLATE (Ref # 13270)	13270-3860	1
PLATE (Ref # 13271)	13271-3724	1
HOLDER,EXHAUST VALVE (Ref # 13280)	13280-3718	1
DUCT,L=800 (Ref # 14073)	14073-3804	1
DUCT (Ref # 14073A)	14073-3805	1
DUCT,L=1000 (Ref # 14073B)	14073-3836	1
COVER,ECU (Ref # 14091)	14091-3786	1
COVER,BATTERY (Ref # 14091A)	14091-3809	1
COVER,STORAGE CASE (Ref # 14091B)	14091-3819	1
HOOK (Ref # 27012)	27012-3797	1
HOOK (Ref # 27012A)	27012-3816	1
HOOK (Ref # 27012B)	27012-3821	1
PIPE (Ref # 32152)	32152-3749	1
PIPE,DRIVE SHAFT (Ref # 32154)	32154-3714	1
PIPE,COOLING (Ref # 32155)	32155-3702	1
CAP-END (Ref # 39031)	39031-3704	1
STABILIZER,LH,F.BLACK (Ref # 59437)	59437-3749-6Z	1
STABILIZER,RH,F.BLACK (Ref # 59437A)	59437-3750-6Z	1
COVER-JET PUMP (Ref # 59446)	59446-3760	1
BOLT,6X20 (Ref # 92002)	92002-3755	1
SCREW,TAPPING,4X16 (Ref # 92009)	92009-3849	1
NUT,16MM (Ref # 92015)	92015-1477	1

## 2011 Ultra 300X PARTS LIST

Hull

ITEM NAME	PART NUMBER	QUANTITY
NUT,20MM (Ref # 92015A)	92015-1589	1
NUT,FLANGED,8MM (Ref # 92015B)	92015-1933	1
WASHER,20.3X36X2.3 (Ref # 92022)	92022-1116	1
WASHER,17.3X30X2.3 (Ref # 92022A)	92022-1903	1
WASHER (Ref # 92022B)	92022-567	1
COLLAR,6.2X10X10 (Ref # 92027)	92027-3705	1
CLAMP (Ref # 92037)	92037-3009	1
CLAMP (Ref # 92037A)	92037-3738	1
NUT-HEX,6MM (Ref # 311)	311R0600	1
WASHER-PLAIN-SMALL,6MM (Ref # 410)	410S0600	1
WASHER-PLAIN-SMALL,8MM (Ref # 410A)	410S0800	1
WASHER-PLAIN,5MM (Ref # 411)	411S0500	1
WASHER-PLAIN,8MM (Ref # 411A)	411S0800	1
RIVET (Ref # 92039)	92039-3741	1
RIVET (Ref # 92039A)	92039-3755	1
RIVET (Ref # 92039B)	92039-3775	1
RIVET (Ref # 92039C)	92039-3785	1
RIVET (Ref # 92039D)	92039-3788	1
PLUG (Ref # 92066)	92066-1306	1
PLUG,RR,DRAIN,F.BLACK (Ref # 92066A)	92066-3783-6Z	1
BAND,314X18 (Ref # 92072)	92072-3814	1
BAND,L=608.22 (Ref # 92072A)	92072-3884	1
SEAL (Ref # 92093)	92093-3720	1
SEAL (Ref # 92093A)	92093-3783	1
SEAL (Ref # 92093B)	92093-3784	1
BOLT,SOCKET,6X18 (Ref # 92150)	92150-3775	1
BOLT,SOCKET,8X55 (Ref # 92153)	92153-3746	1
DAMPER (Ref # 92161)	92161-3769	1
TUBE,39X51X78 (Ref # 92192)	92192-3756	1

## 2011 Ultra 300X PARTS LIST

Hull

ITEM NAME	PART NUMBER	QUANTITY
WASHER (Ref # 92200)	92200-3779	1
HULL-COMP,BLACK/EBONY (Ref # 59426)	59426-3972-43D	1