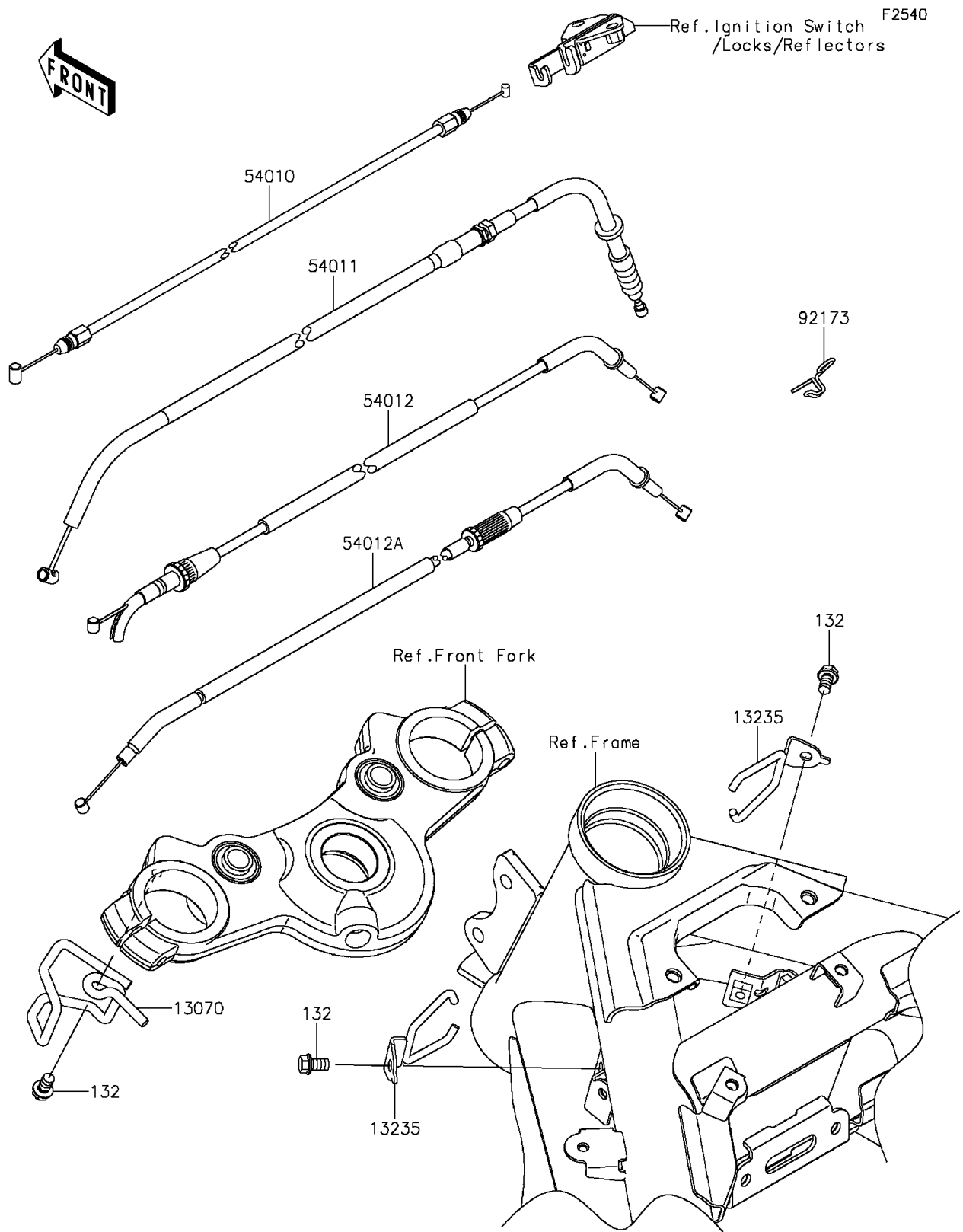


2016 NINJA® 650 ABS PARTS DIAGRAM

Cables



2016 NINJA® 650 ABS PARTS LIST

Cables

ITEM NAME	PART NUMBER	QUANTITY
-----------	-------------	----------