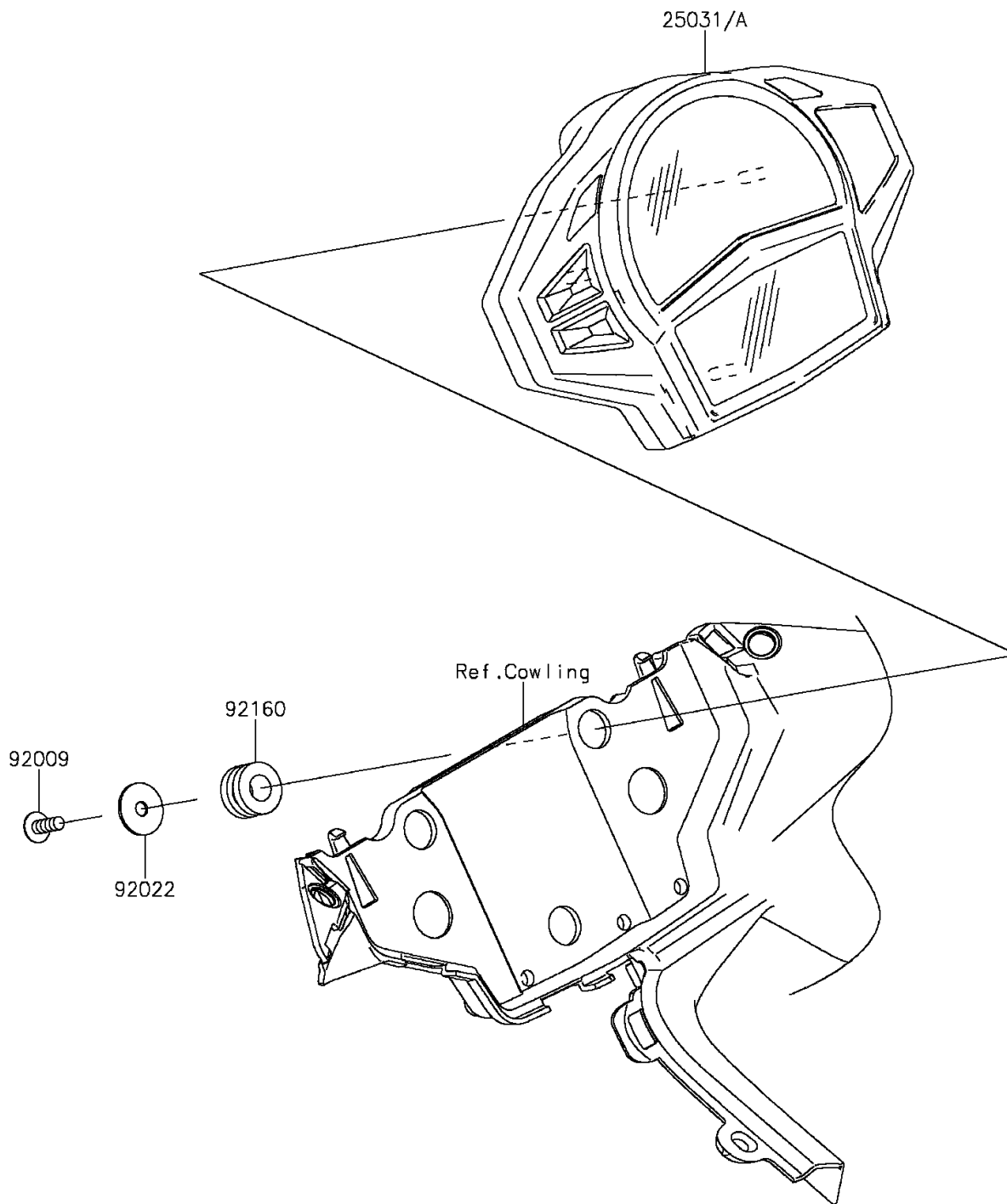


## 2013 NINJA® 650 ABS PARTS DIAGRAM

Meter(s)

F2530



## 2013 NINJA® 650 ABS PARTS LIST

Meter(s)

ITEM NAME	PART NUMBER	QUANTITY
METER-ASSY,TACHO&LCD,ABS (Ref # 25031)	25031-0442	1
SCREW,TAPPING,5X14 (Ref # 92009)	92009-1197	1
WASHER,5.5X20X1.2 (Ref # 92022)	92022-1405	1
DAMPER,10X20X12 (Ref # 92160)	92160-1167	1