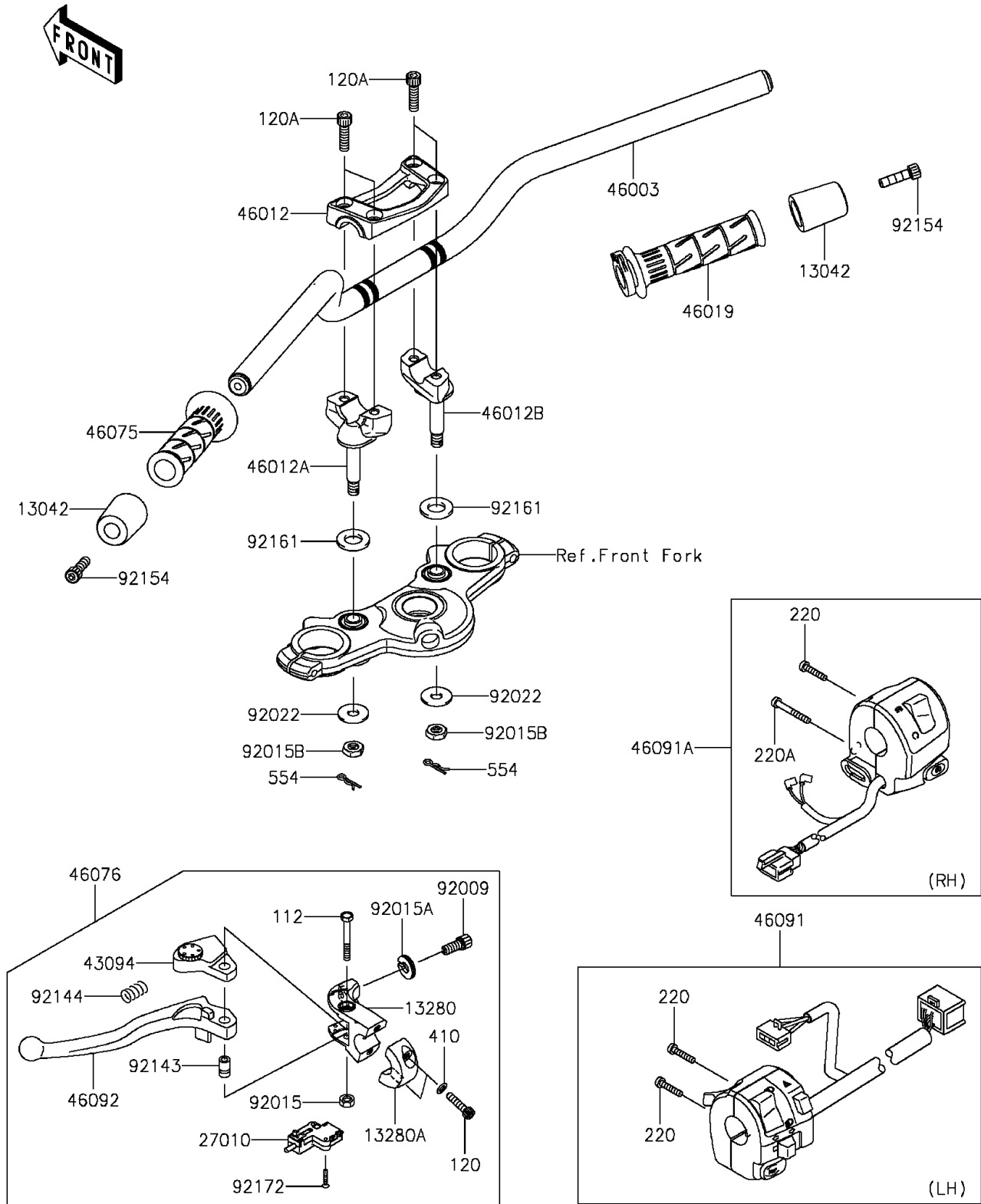


## 2013 NINJA® 650 ABS PARTS DIAGRAM

Handlebar

F2310



## 2013 NINJA® 650 ABS PARTS LIST

### Handlebar

ITEM NAME	PART NUMBER	QUANTITY
BOLT-UPSET,6X45 (Ref # 112)	112BB0645	1
BOLT-SOCKET,6X25 (Ref # 120)	120CB0625	1
BOLT-SOCKET,8X30 (Ref # 120A)	120CC0830	1
SCREW-PAN-CROS,5X25 (Ref # 220)	220AB0525	1
SCREW-PAN-CROS,5X40 (Ref # 220A)	220AB0540	1
WASHER-PLAIN-SMALL,6MM (Ref # 410)	410AB0600	1
PIN-SNAP (Ref # 554)	554DB0800	1
WEIGHT,HANDLE (Ref # 13042)	13042-5002	1
HOLDER,CLUTCH LEVER (Ref # 13280)	13280-0306	1
HOLDER,CLUTCH LEVER (Ref # 13280A)	13280-0319	1
SWITCH,CLUTCH,BLACK (Ref # 27010)	27010-1094	1
ADJUSTER,CLUTCH LEVER (Ref # 43094)	43094-0556	1
HANDLE,F.M.GRAY (Ref # 46003)	46003-0588-26M	1
HOLDER-HANDLE,UPP (Ref # 46012)	46012-0059	1
HOLDER-HANDLE,LWR,LH (Ref # 46012A)	46012-0060	1
HOLDER-HANDLE,LWR,RH (Ref # 46012B)	46012-0061	1
GRIP-ASSY,THROTTLE (Ref # 46019)	46019-0060	1
GRIP,HANDLE,LH (Ref # 46075)	46075-0564	1
LEVER-ASSY-GRIP,LH (Ref # 46076)	46076-0082	1
HOUSING-ASSY-CONTROL,LH (Ref # 46091)	46091-0214	1
HOUSING-ASSY-CONTROL,RH (Ref # 46091A)	46091-0246	1
LEVER-GRIP,CLUTCH (Ref # 46092)	46092-0031	1
SCREW,CABLE ADJUST,8MM,BLACK (Ref # 92009)	92009-1134	1
NUT,LOCK,6MM,BLACK (Ref # 92015)	92015-1191	1
NUT,CABLE ADJUST LOCK,8MM,BLK (Ref # 92015A)	92015-1197	1
NUT,LOCK,10MM (Ref # 92015B)	92015-1962	1
WASHER,10.2X28X2 (Ref # 92022)	92022-1088	1
COLLAR (Ref # 92143)	92143-1379	1
SPRING (Ref # 92144)	92144-1467	1

## 2013 NINJA® 650 ABS PARTS LIST

Handlebar

ITEM NAME	PART NUMBER	QUANTITY
BOLT,SOCKET,8X30 (Ref # 92154)	92154-0440	1
DAMPER (Ref # 92161)	92161-0037	1
SCREW,3X16 (Ref # 92172)	92172-0183	1