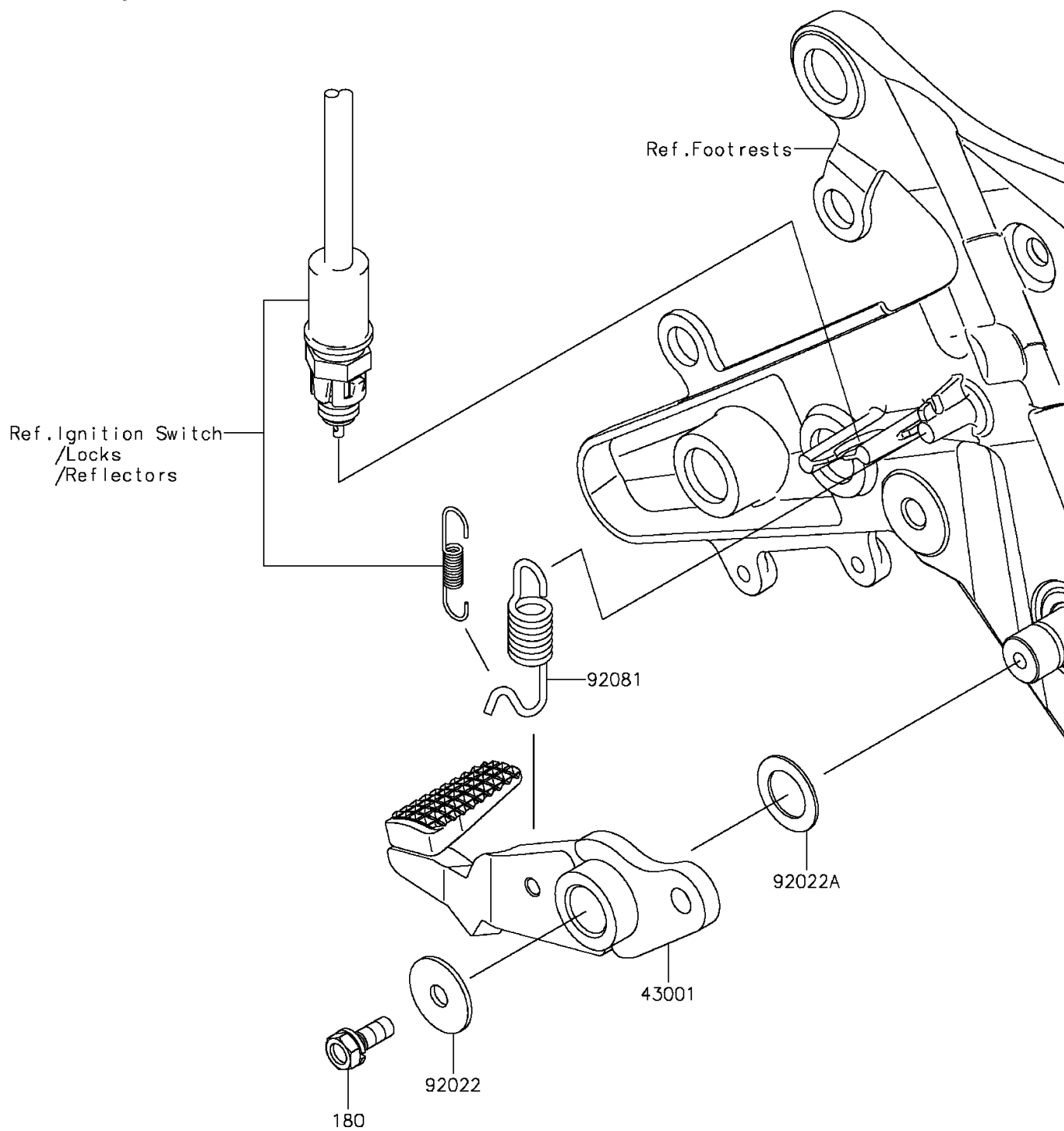


## 2013 NINJA® 650 ABS PARTS DIAGRAM

Brake Pedal/Torque Link

F2260



## 2013 NINJA® 650 ABS PARTS LIST

Brake Pedal/Torque Link

ITEM NAME	PART NUMBER	QUANTITY
BOLT-UPSET-WS,6X16 (Ref # 180)	180AA0616	1
LEVER-BRAKE (Ref # 43001)	43001-0705	1
WASHER,7X24X1.6 (Ref # 92022)	92022-228	1
WASHER,15.3X24X1 (Ref # 92022A)	92022-326	1
SPRING,BRAKE PEDAL (Ref # 92081)	92081-1833	1