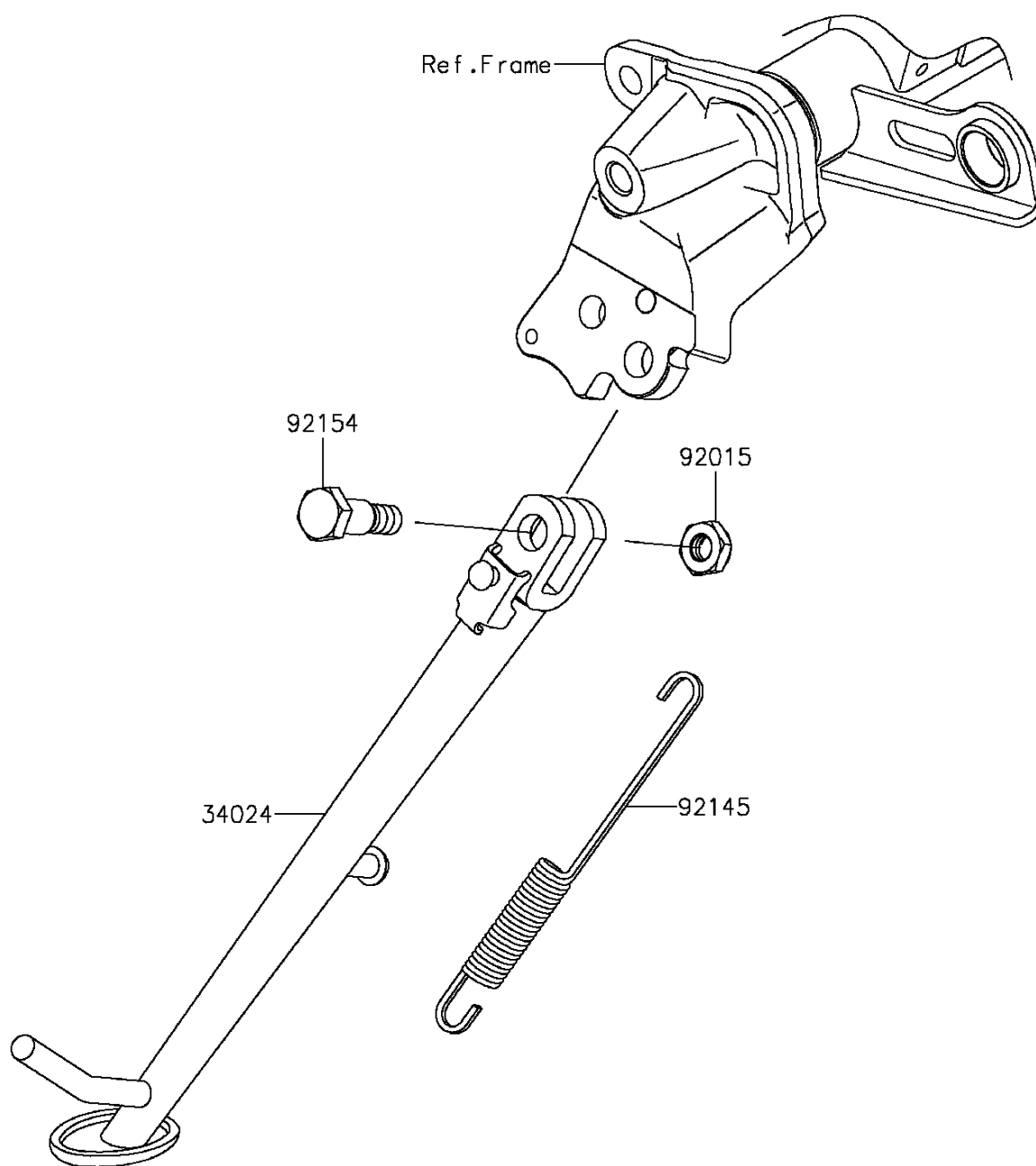


2016 NINJA® 650 ABS PARTS DIAGRAM

Stand(s)

F2190



2016 NINJA® 650 ABS PARTS LIST

Stand(s)

ITEM NAME	PART NUMBER	QUANTITY
-----------	-------------	----------