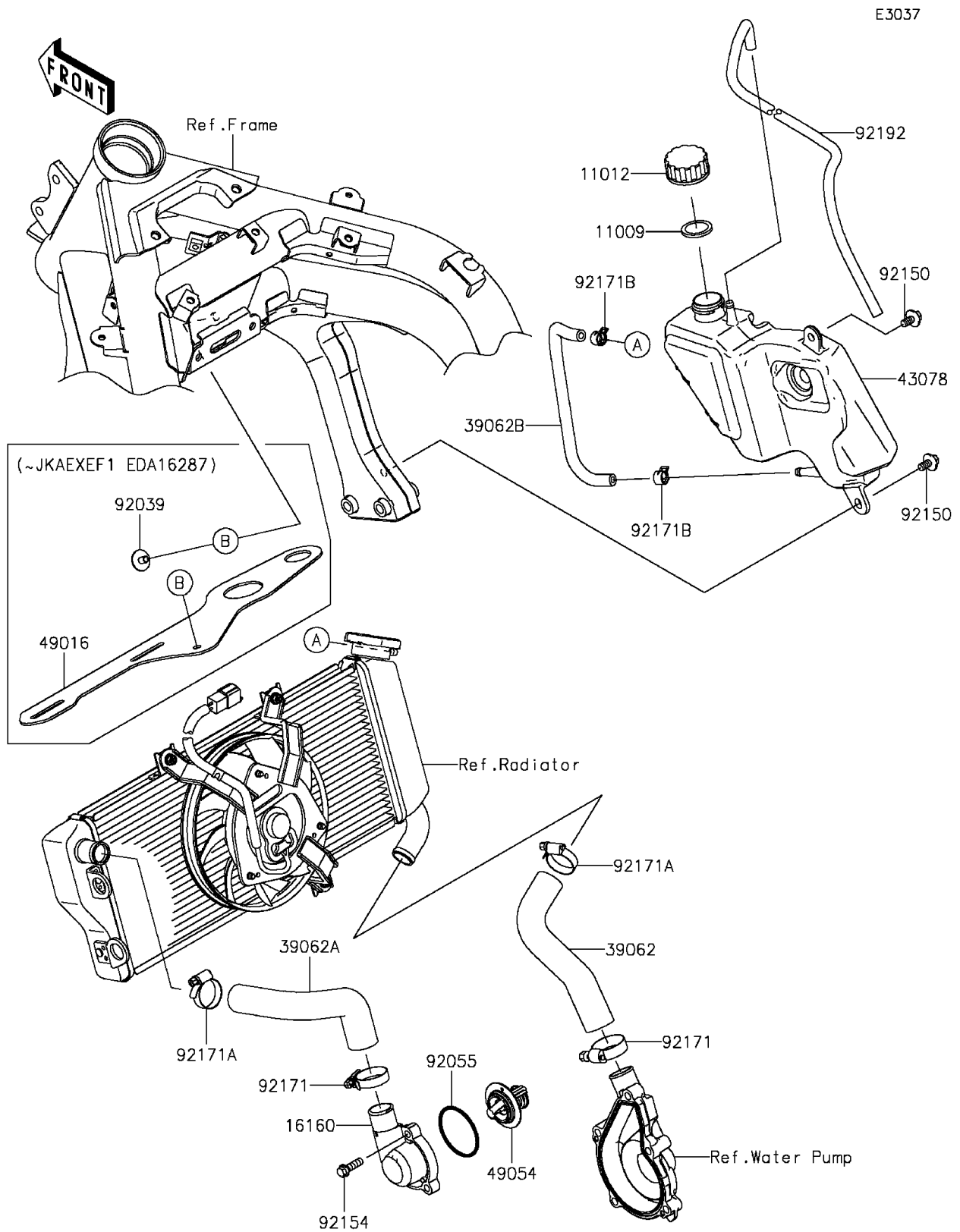


2016 NINJA® 650 ABS PARTS DIAGRAM

Water Pipe



2016 NINJA® 650 ABS PARTS LIST

Water Pipe

ITEM NAME	PART NUMBER	QUANTITY
-----------	-------------	----------