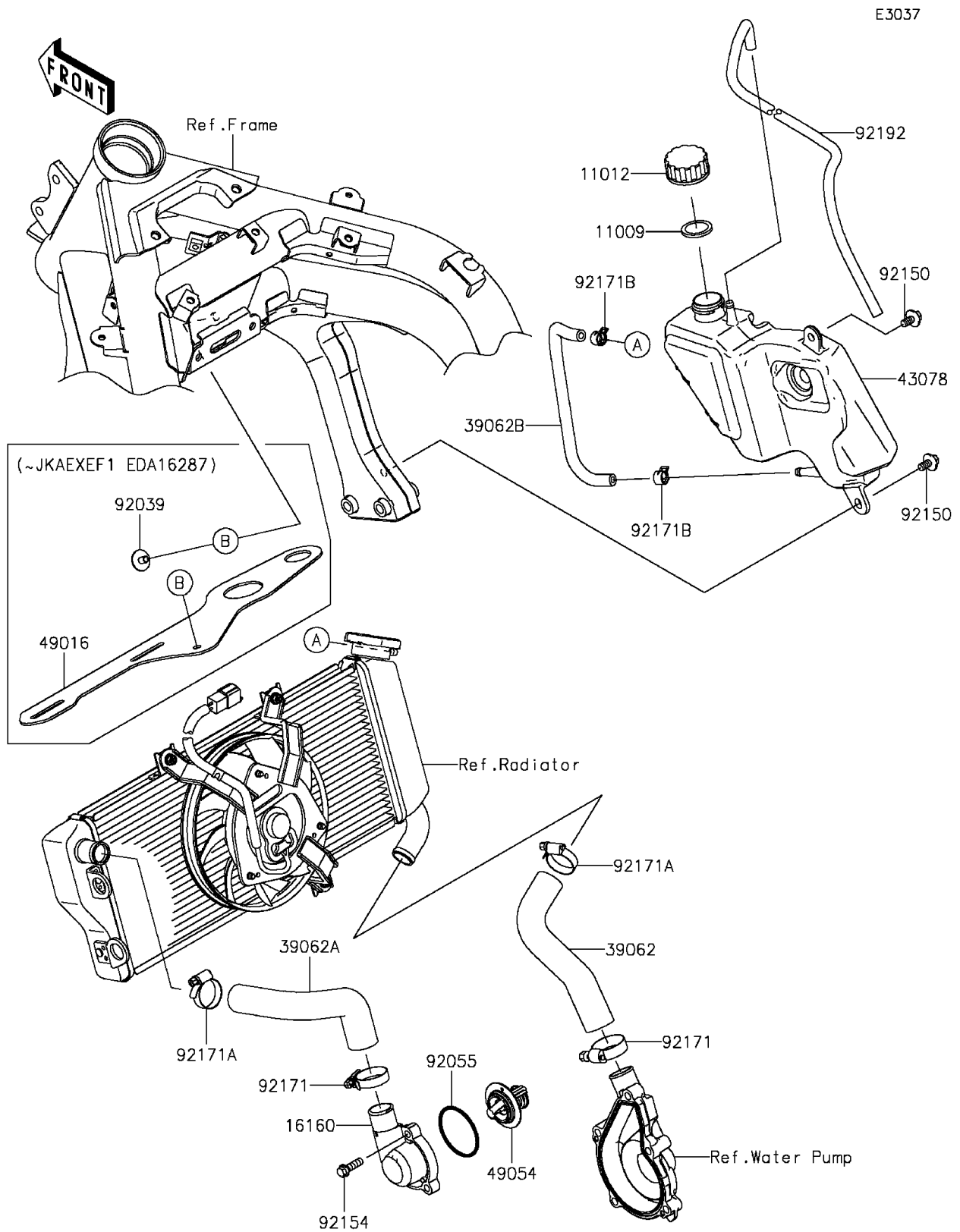


## 2013 NINJA® 650 ABS PARTS DIAGRAM

Water Pipe



## 2013 NINJA® 650 ABS PARTS LIST

Water Pipe

ITEM NAME	PART NUMBER	QUANTITY
GASKET,RESERVOIR TANK CAP (Ref # 11009)	11009-1145	1
CAP (Ref # 11012)	11012-1084	1
BODY,THERMO (Ref # 16160)	16160-0181	1
HOSE-COOLING,W.PUMP-RAD (Ref # 39062)	39062-0265	1
HOSE-COOLING,HEAD-RAD. (Ref # 39062A)	39062-0584	1
HOSE-COOLING,RAD.-RESERVOIR (Ref # 39062B)	39062-0588	1
RESERVOIR (Ref # 43078)	43078-0553	1
COVER-SEAL (Ref # 49016)	49016-0584	1
THERMOSTAT (Ref # 49054)	49054-0001	1
RIVET (Ref # 92039)	92039-0714	1
RING-O,44.7X2.4 (Ref # 92055)	92055-0160	1
BOLT,6X14 (Ref # 92150)	92150-1340	1
BOLT,FLANGED,6X20 (Ref # 92154)	92154-1778	1
CLAMP (Ref # 92171)	92171-0261	1
CLAMP (Ref # 92171A)	92171-0337	1
CLAMP,10.5X8X0.7 (Ref # 92171B)	92171-1992	1
TUBE,BREATHING (Ref # 92192)	92192-1006	1