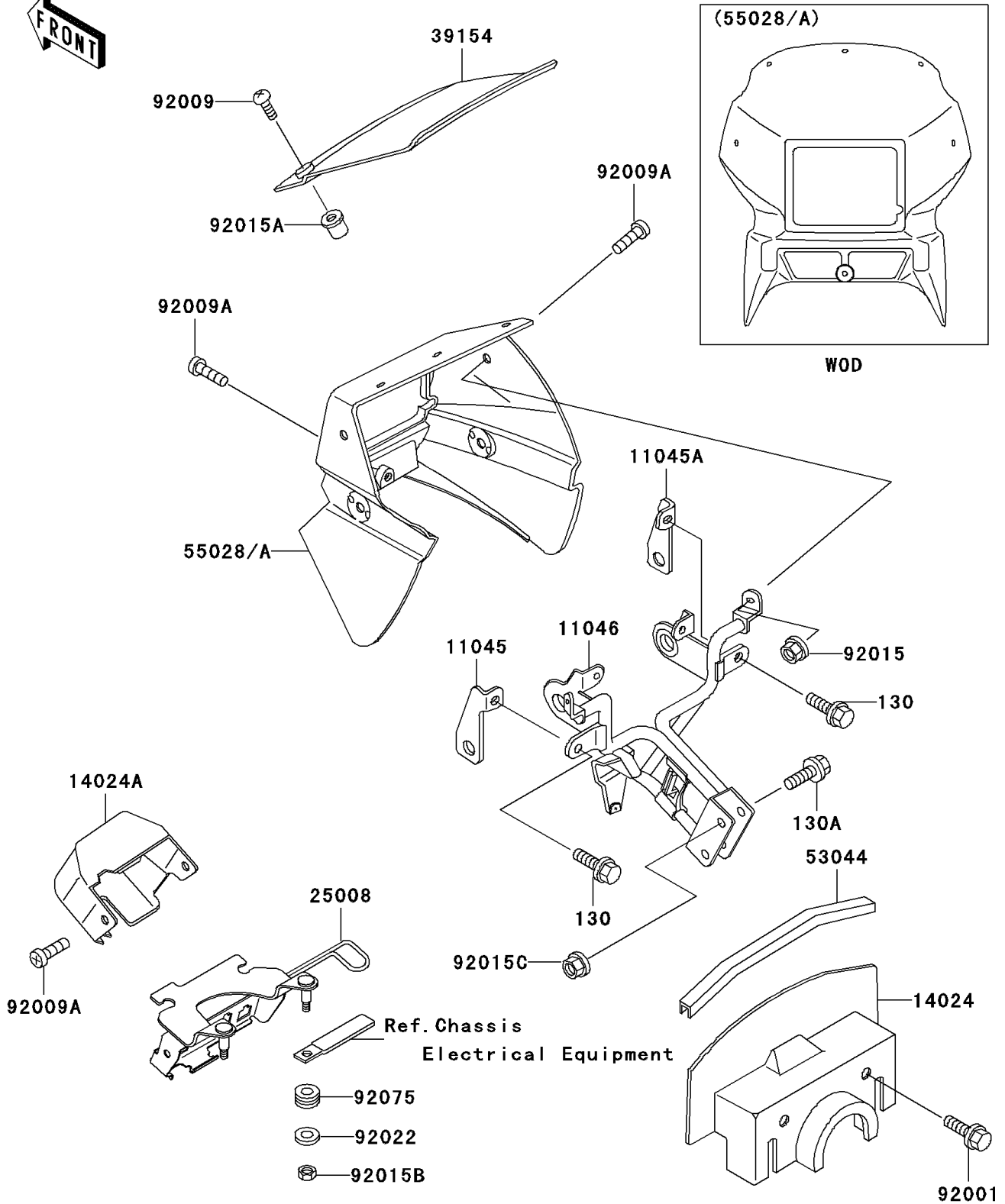


1997 KLR650 PARTS DIAGRAM

Cowling

F2871



1997 KLR650 PARTS LIST

Cowling

| ITEM NAME | PART NUMBER | QUANTITY |
|---------------------------------------|---------------|----------|
| BOLT-FLANGED,6X12 (Ref # 130) | 130C0612 | 2 |
| BOLT-FLANGED,8X25 (Ref # 130A) | 130G0825 | 2 |
| BRACKET,SIGNAL LAMP,LH (Ref # 11045) | 11045-1798 | 1 |
| BRACKET,SIGNAL LAMP,RH (Ref # 11045A) | 11045-1799 | 1 |
| BRACKET,COWLING (Ref # 11046) | 11046-1036 | 1 |
| COVER,COWLING,INNER (Ref # 14024) | 14024-1366 | 1 |
| COVER,HARNESS COUPLER (Ref # 14024A) | 14024-1471 | 1 |
| BRACKET-METER (Ref # 25008) | 25008-1137 | 1 |
| WINDSHIELD (Ref # 39154) | 39154-1065 | 1 |
| TRIM,COWLING COVER (Ref # 53044) | 53044-1106 | 1 |
| COWLING,UPP,F.B.GREEN (Ref # 55028) | 55028-1164-59 | 1 |
| BOLT,6X14,BLACK (Ref # 92001) | 92001-1847 | 2 |
| SCREW,5X14 (Ref # 92009) | 92009-1653 | 3 |
| SCREW,6X14 (Ref # 92009A) | 92009-1662 | 5 |
| NUT,FLANGED,6MM (Ref # 92015) | 92015-1193 | 2 |
| NUT,5MM,COWLING (Ref # 92015A) | 92015-1343 | 3 |
| NUT,6MM (Ref # 92015B) | 92015-1391 | 2 |
| NUT,FLANGED,8MM (Ref # 92015C) | 92015-1406 | 2 |
| WASHER,6.5X20X1.6 (Ref # 92022) | 92022-1557 | 2 |
| DAMPER (Ref # 92075) | 92075-024 | 2 |